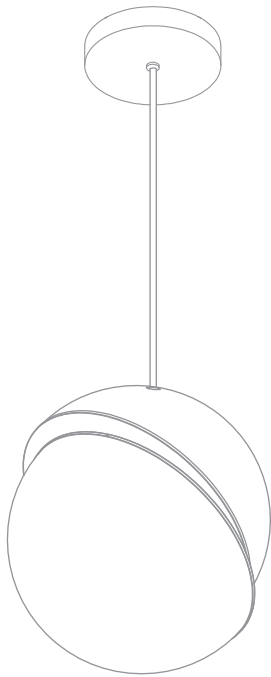




LEE BROOM



MINI CRESCENT LIGHT

CONTENTS



1 X
CRESCENT MINI
DOME



1 X
CEILING
ROSE



1 X
PENDANT
SET



1 X
E27 LED
BULB

ATTENTION

- THE CRESCENT LIGHT MUST BE INSTALLED BY A QUALIFIED ELECTRICIAN
- MINIMUM OF TWO PEOPLE REQUIRED FOR INSTALLATION
- ENSURE POWER SUPPLY IS DISCONNECTED PRIOR TO INSTALLATION.
- THIS PRODUCT IS FOR INTERIOR USE ONLY AND SHOULD BE INSTALLED IN A DRY ENVIRONMENT ONLY
- BULB IS SUPPLIED. LEE BROOM RECOMMEND A 6W E27 2700K DIMMING LED BULB
- WHEN SWITCHED ON THE CRESCENT LIGHT MAY BECOME HOT



25W LED
MAXIMUM
WATTAGE

THIS
PRODUCT
MUST BE
EARTHED

220/240V
50-60 HZ

E27
LAMP
HOLDER

CARE AND CLEANING

- ONLY ATTEMPT TO CLEAN WHEN THE CRESCENT LIGHT IS SWITCHED OFF
- ONLY USE A NON-ABRASIVE, SOFT, DRY CLOTH WHEN CLEANING THE CRESCENT LIGHT

LEE BROOM

LONDON · NEW YORK

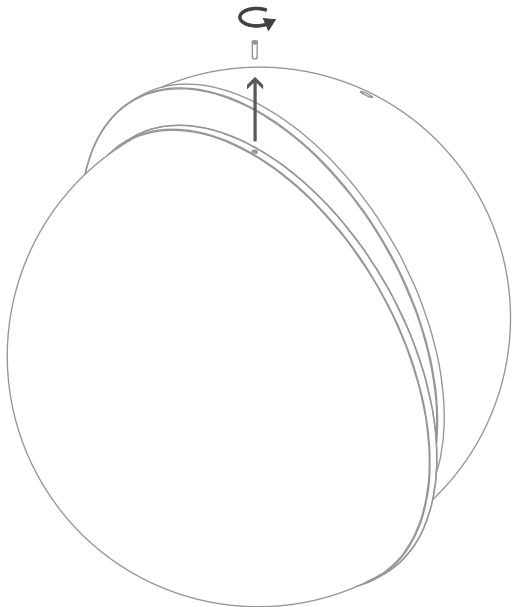
93 RIVINGTON STREET, LONDON, EC2A 3AY +44 (0)20 7820 0742
34 GREENE STREET, NEW YORK, NY10013 +1 212 804 8477

WWW.LEEBROOM.COM INFO@LEEBROOM.COM

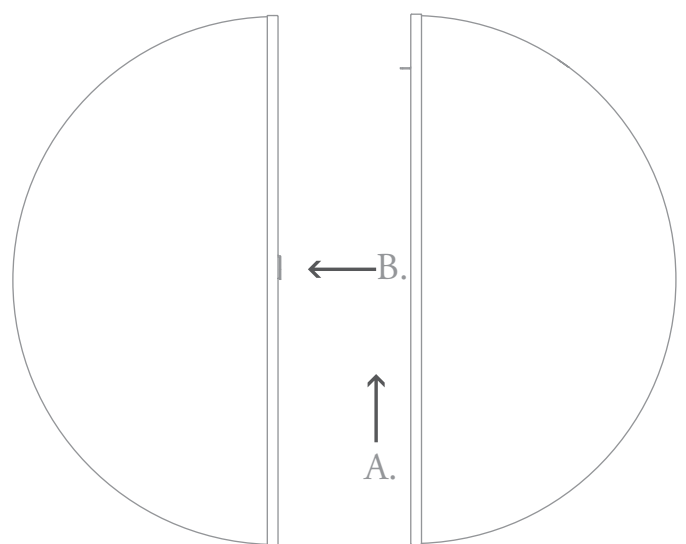
ASSEMBLY - MUST BE INSTALLED BY A QUALIFIED ELECTRICIAN

1. UNSCREW AND REMOVE THE GRUB SCREW FROM THE TOP OF THE CRESCENT DOME.
- 2A. SEPARATE THE CRESCENT DOME BY LIFTING THE LOWER DOME HALF SO IT IS FLUSH WITH THE HIGHER DOME HALF.
- 2B. PULL THE DOMES APART.
3. FIT BULB INTO LAMP HOLDER. LEE BROOM RECOMMEND 6W E27 2700K DIMMING LED BULB.
4. UNSCREW THE END NUT FROM THE PENDANT SET AND PULL THROUGH TO REMOVE FROM POWER CABLE.
5. ENSURE THE BLACK GRUB SCREW IS FIXED IN TIGHTLY.
6. PULL THE POWER CABLE THROUGH THE HOLE IN THE CRESCENT DOME UNTIL THE WASHER SITS AGAINST THE INSIDE FACE OF THE DOME.
7. FEED THE POWER CABLE THROUGH THE END NUT AND THREAD INTO THE PENDANT SET ENSURING IT IS FIXED.
8. HOOK THE DOMES BACK TOGETHER. PUT THE TWO DOMES TOGETHER SO THEY ARE FLUSH SO THE TWO SQUARE HOOKS LOCATE IN THE TWO SQUARE HOLES. SLIDE THE DOME THAT HAS THE TWO SQUARE HOOKS DOWN SO THE HOOKS LOCATE IN POSITION. THE TWO DOMES SHOULD NOW BE IN POSITION TOGETHER AND THE CRESCENT LIGHT SHOULD LOOK LIKE DIAGRAM 1.
9. INSERT THE GRUB SCREW BACK INTO THE TOP OF THE DOME TO ENSURE BOTH HALVES ARE FIXED SECURELY.
10. SEPARATE THE BACK PLATE FROM THE CEILING ROSE COVER BY UNSCREWING THE END NUT.
11. TERMINATE ALL WIRES BEFORE INSTALLATION.
12. MOUNT THE CEILING ROSE BACK PLATE TO THE REQUIRED POSITION ON THE CEILING. ALWAYS USE THE APPROPRIATE FIXING FOR THE CEILING MATERIAL YOU ARE FIXING TO.
13. THREAD THE POWER CABLE THROUGH THE END NUT AND THE CEILING ROSE COVER.
14. LOOSEN THE SCREWS ON THE CORD RESTRAINT.
15. THREAD THE POWER CABLE THROUGH THE CORD RESTRAINT TO THE CORRECT DROP HEIGHT REQUIRED AND TIGHTEN SCREWS ON CORD RESTRAINT.
16. CONNECT EACH WIRE TO ITS CORRECT TERMINAL IN THE PROVIDED JUNCTION BOX.
17. ATTACH THE CEILING ROSE COVER BY THREADING THE END NUT INTO THE BACK PLATE.

1.



2.



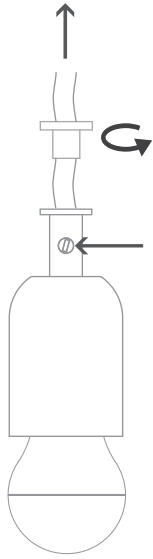
LEE BROOM

LONDON · NEW YORK

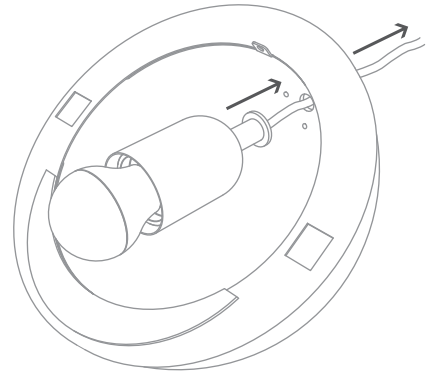
93 RIVINGTON STREET, LONDON, EC2A 3AY +44 (0)20 7820 0742
34 GREENE STREET, NEW YORK, NY10013 +1 212 804 8477

WWW.LEEBROOM.COM INFO@LEEBROOM.COM

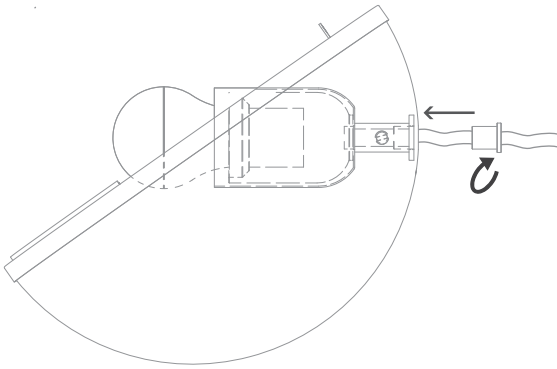
4.15.



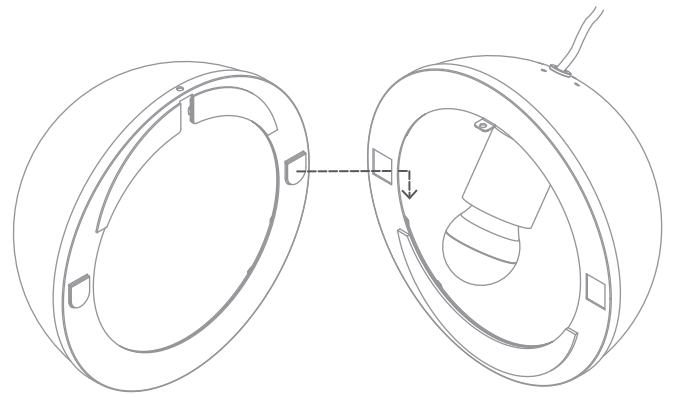
6.



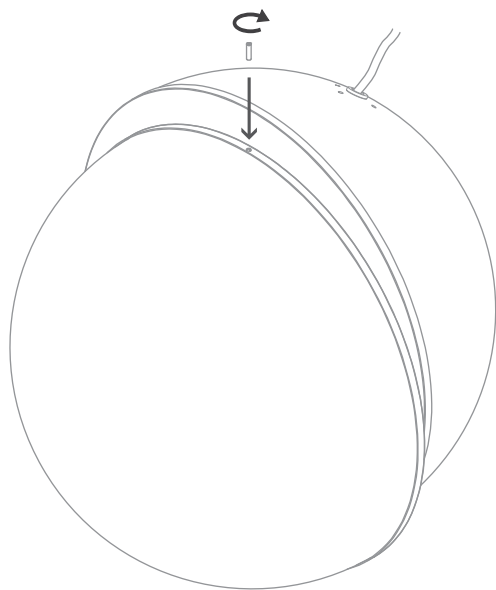
7.



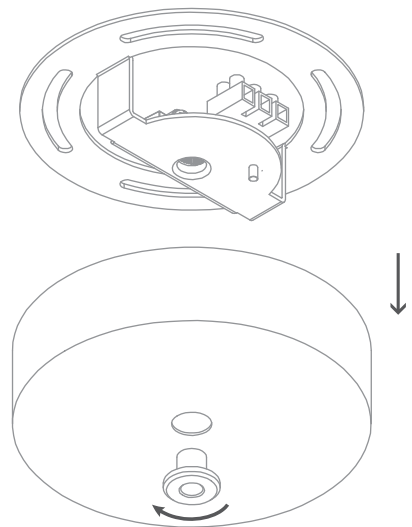
8.



9.



10.



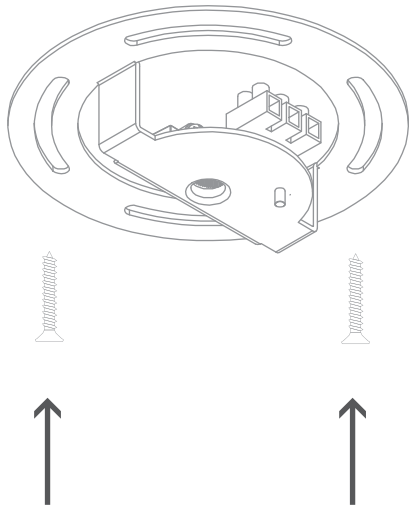
LEE BROOM

LONDON · NEW YORK

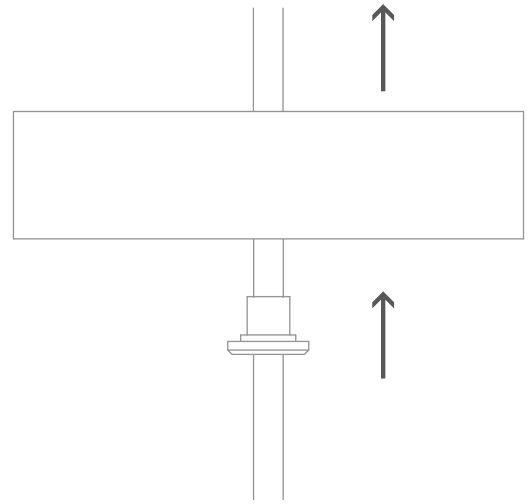
93 RIVINGTON STREET, LONDON, EC2A 3AY +44 (0)20 7820 0742
34 GREENE STREET, NEW YORK, NY10013 +1 212 804 8477

WWW.LEEBROOM.COM INFO@LEEBROOM.COM

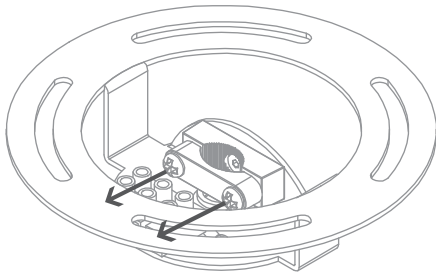
12.



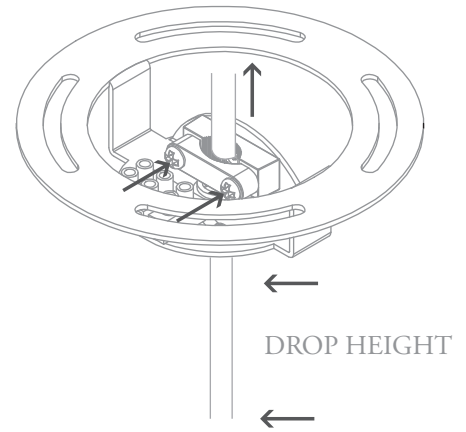
13.



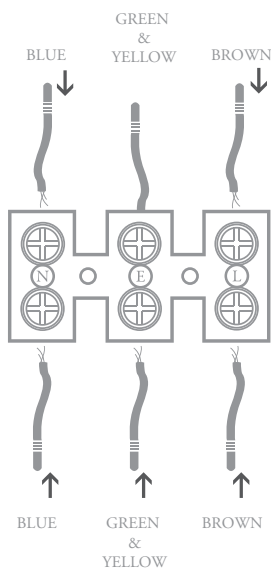
14.



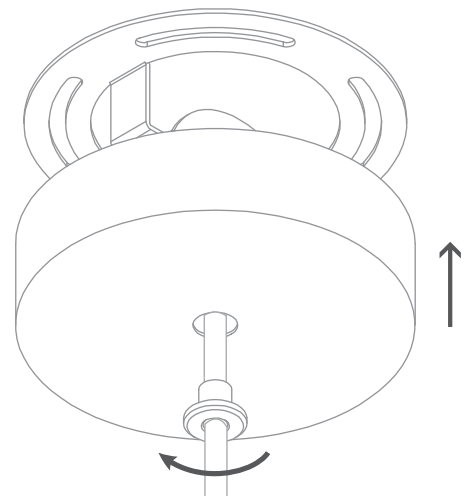
15.



16.



17.



LEE BROOM

LONDON · NEW YORK

93 RIVINGTON STREET, LONDON, EC2A 3AY +44 (0)20 7820 0742
34 GREENE STREET, NEW YORK, NY10013 +1 212 804 8477

WWW.LEEBROOM.COM INFO@LEEBROOM.COM