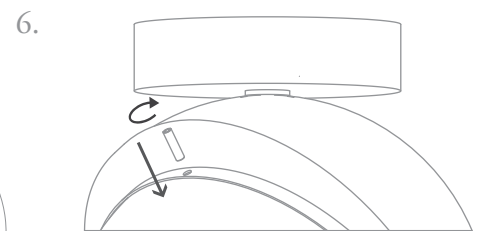
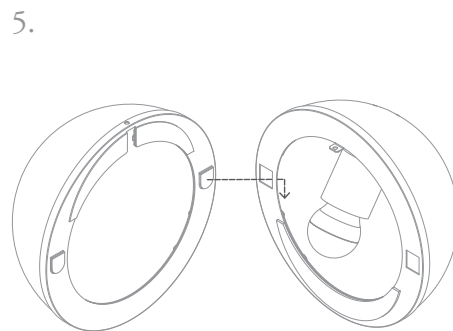
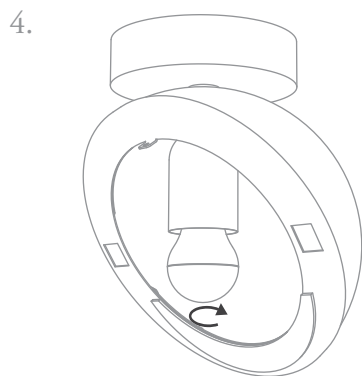
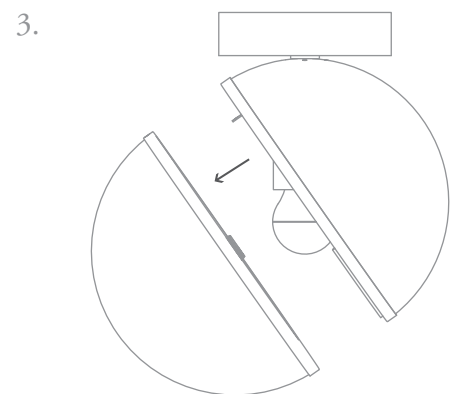
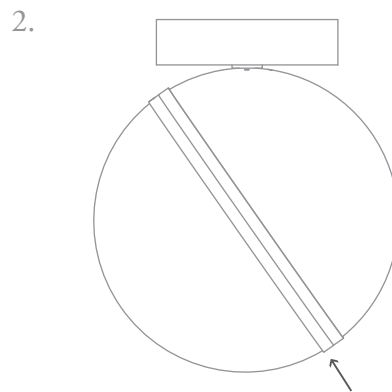
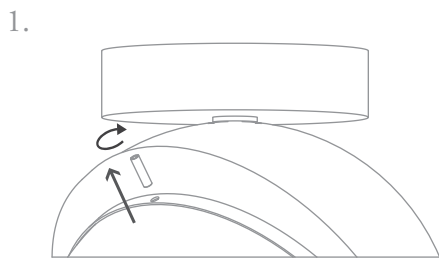




LEE BROOM

MINI CRESCENT CEILING LIGHT - BULB INSTALLATION

1. UNSCREW AND REMOVE THE GRUB SCREW FROM THE TOP OF THE CRESCENT LIGHT DOME.
2. SEPARATE THE CRESCENT DOMES BY PUSHING THE LOWER DOME HALF UP SO IT IS FLUSH WITH THE HIGHER DOME.
3. GENTLY PULL THE DOMES APART.
4. FIT NEW BULB INTO LAMP HOLDER (6W LED MAX).
5. HOOK THE DOMES BACK TOGETHER. PUT THE TWO DOMES TOGETHER SO THEY ARE FLUSH AND THE TWO SQUARE HOOKS LOCATE IN THE TWO SQUARE HOLES. SLIDE THE DOME THAT HAS THE TWO SQUARE HOOKS DOWN SO THE HOOKS LOCATE IN POSITION.
6. INSERT THE GRUB SCREW BACK INTO THE TOP OF THE DOME TO ENSURE BOTH HALVES ARE FIXED SECURELY.



LEE BROOM

LONDON · NEW YORK

93 RIVINGTON STREET, LONDON, EC2A 3AY +44 (0)20 7820 0742
34 GREENE STREET, NEW YORK, NY10013 +1 212 804 8477

WWW.LEEBROOM.COM INFO@LEEBROOM.COM