

These instructions are provided for your safety in order to prevent the risk of Fire, Electric shock or Injury. It is vitally important that they are read in their entirety before installing your fitting. Please retain for future reference.

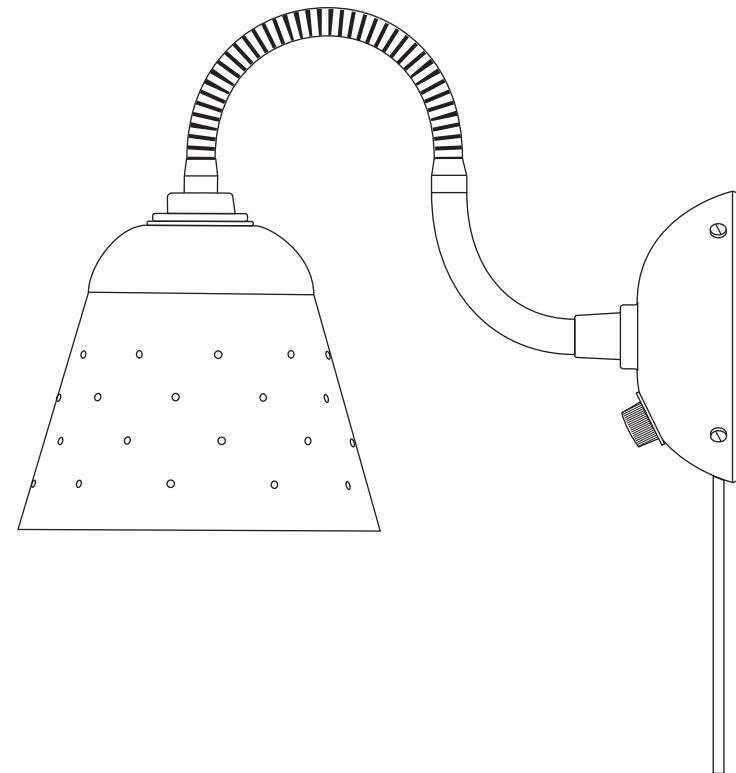
1. If you are in any doubt consult a qualified electrician as to the installation of the fitting.
2. Ensure that the electrical supply is OFF. Disconnect the electrical supply at the fuse-board.
3. Identify any concealed wiring or pipes in the chosen installation location before beginning the installation to avoid damage.
4. Position the light where desired ensuring that there is suitable support adjacent to where you will connect to the house supply and mark position of fixing holes, before drilling appropriate holes as below.
5.
 - a. Brick or masonry: Drill holes into which the wall plugs tightly fit, then insert wall plugs.
 - b. Wood: No hole necessary (unless small pilot hole required), screws can be screwed directly into the timber.
 - c. Plaster/Cavity: Special cavity wall fittings are required, rather than provided fixings. These are widely available from good hardware or DIY store and should come with their own instructions that must be followed. It may be easier to relocate the fitting so that you screw directly into a timber joist or beam.
6. Follow the instructions inside to complete the installation
7. Fit the correct type and wattage of lamp (or less). Be careful not to overtighten the lamp.
8. Switch on at the fuse-board. Your light fitting is now ready for use.

Other Important Information

Switch off at mains before changing lamp(s). Never fit a lamp of greater wattage than recommended. Ensure children do not play with the light fitting. If the fitting is to be positioned in an area which can be accessed by young children we recommend installing the light with a suitable cable clip to prevent the flex from becoming a choking hazard. These are available at good hardware stores. Dispose of old lamps carefully. Never leave a fitting without a lamp in position (or someone can accidentally touch the contacts). Adjust fitting only when power to the fitting is off and has been left to cool. If the external flexible cable or cord of this luminaire is damaged, it shall be exclusively replaced by the manufacturer or his service agent or a similar qualified person in order to avoid a hazard. For use in dry, indoor environment only. Ensure the fitting does not come into contact with any liquids.

Cleaning and Maintenance

All brass components can be cleaned with a metal polish to remove tarnishing with the exception of the flexible arm. **Do not use polishes or abrasives on the flexible arm as this may compromise the fittings ability to maintain its shade position.** Bone china can be cleaned by hand, with a soft damp cloth with a diluted, mild detergent (nonabrasive) if necessary. The painted metalwork can be cleaned with a soft dry cloth. Switch off power to the fitting before cleaning.



Established in 1990, Original BTC manufactures relaxed, familiar lighting for traditional and contemporary homes. All products are hand-assembled in Oxfordshire from high quality components, produced in the UK.

ORIGINALBTC.COM
+44 (0)1993 882 251
UNIT 21 / 22 AVENUE ONE, STATION LANE, WITNEY, OX28 4XZ, ENGLAND





ORIGINAL BTC x BEATA HEUMAN



Alma Plug, Dimmer & Cable Light

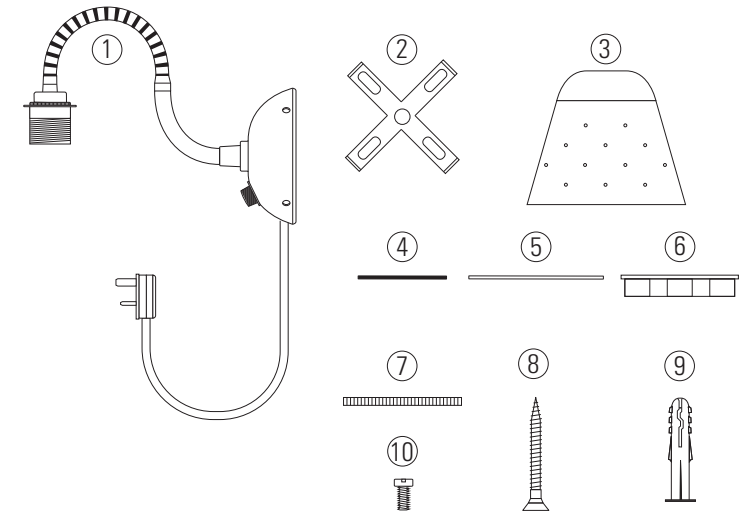
| 230V AC 50Hz | IP20

- FW703N Alma Wall Light, With Dimmer, Plug & Cable, Natural
- FW703R Alma Wall Light, With Dimmer, Plug & Cable, Coral
- FW703G Alma Wall Light, With Dimmer, Plug & Cable, Seaweed

LAMP GUIDANCE : NB lamp not included			
BASE	SHAPE	TYPE	WATTAGE*
 E27	 GLS	LED**	6W (recommended)
		Incandescent	40W Max

* Wattage value provided as a guide to suitable lamps. Lower wattage than stated may be used. 2700K (warm white) recommended.
 ** Dimming performance dependant upon lamp used.

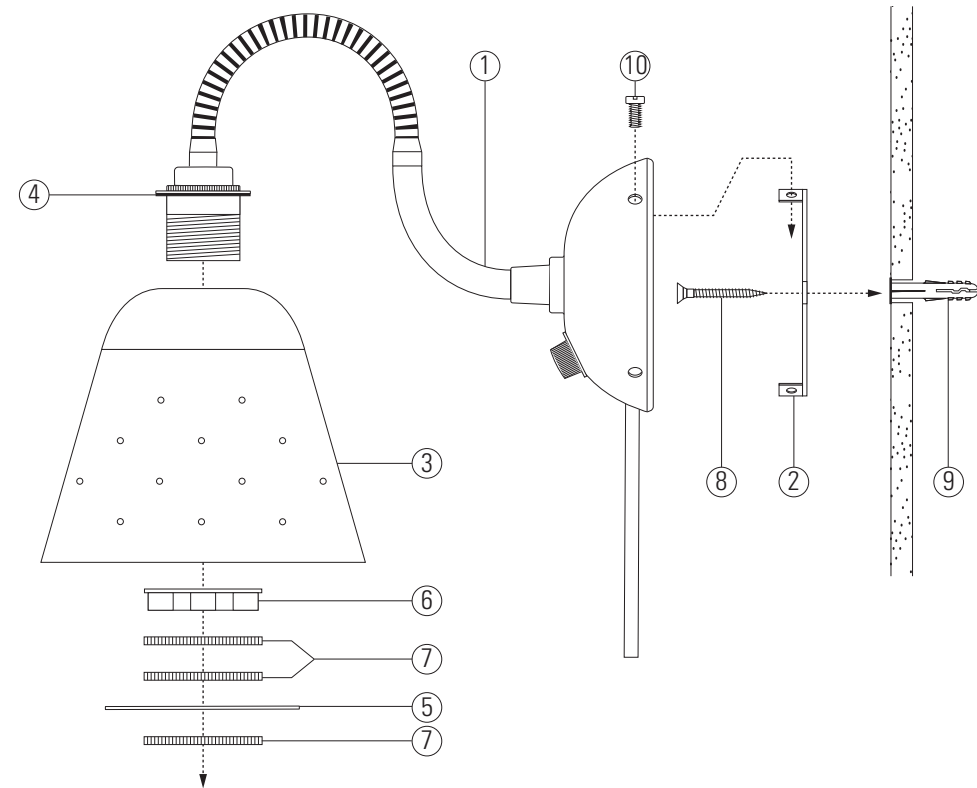
Contents



- Contents**
- 1 Main body
 - 2 Wall bracket
 - 3 Shade
 - 4 Rubber gasket
 - 5 Brass shade disc
 - 6 Plastic shade ring
 - 7 Brass shade ring (x3)
 - 8 Fixing screws (x2)
 - 9 Rawl plugs (x2)
 - 10 Brass screws (x4)

Tools Required - Cross head screwdriver - Small flat-head screwdriver - Drill (if holes are required)

Installation Diagram



Installation Instructions

Refer to the diagram above and read the Safety & Installation instructions overleaf.

Take care when handling ceramic products during installation.

- STEP 1 - Determine mounting location and screw the wall bracket (2) to the wall using the rawl plugs (9) & screws (8) provided, or other suitable fixing methods as described in point 5 on the back page.
- STEP 2 - Offer the main body (1) up to the bracket (2) and secure using the 4x brass screws (10).
- STEP 3 - Place the rubber gasket (4) over the lamp holder, secure the shade (3) using the plastic shade ring (6) as a spacer and screw on one of the brass shade rings (7).
- STEP 4 - Install the shade disc (5) using the two remaining brass shade rings (7) to hold in place.

PLEASE READ THE INSTRUCTIONS ON THE REVERSE BEFORE YOU BEGIN INSTALLING YOUR LIGHT