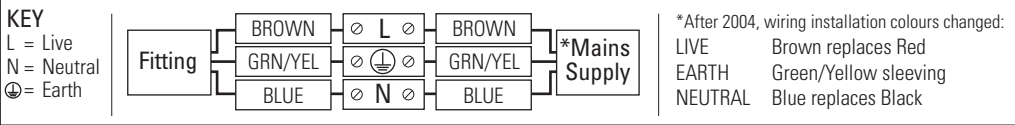


These instructions are provided for your safety in order to prevent the risk of Fire, Electric shock or Injury. It is vitally important that they are read in their entirety before installing your fitting. Please retain for future reference.

- 1. If you are in any doubt consult a qualified electrician as to the installation of the fitting. Install in accordance with current IEE wiring regulations. It is recommended that this fitting is installed by a qualified electrician.
2. Ensure that the electrical supply is OFF. Disconnect the electrical supply at the fuse-board.
3. If removing an existing fitting first, note all wiring connections: record which of the house wires is connected to the live, neutral and earth terminals.
4. Carefully identify where the supply cable is (and check there are no other cables in the area) to avoid damage to concealed wiring during installation.
5. Position the light where desired ensuring that there is suitable support adjacent to where you will connect to the house supply and mark position of fixing holes, before drilling appropriate holes as below.
6. a. Brick or masonry: Drill holes into which the wall plugs tightly fit, then insert wall plugs.
b. Wood: No hole necessary (unless small pilot hole required), screws can be screwed directly into the timber.
c. Plaster/Cavity: Special cavity wall fittings are required, rather than provided fixings. These are widely available from good hardware or DIY store and should come with their own instructions that must be followed. It may be easier to relocate the fitting so that you screw directly into a timber joist or beam.
7. Once desired drop determined, adjust the flex length accordingly. Consult an electrician if in any doubt.
- Use wire cutters to cut flex at desired length and then remove 30mm of the cotton braid and outer insulation (making sure no damage occurs to the interior cables). Apply electrical tape around the end of the cotton braid to prevent fraying.
- Refer to the diagram inside for cable preparation guidance.
8. Support the fitting so that no strain is applied to the wiring when making the electrical connections. If necessary get a colleague to help.
9. Electrical connection: this light fitting must be earthed. Make connections using the connector block, following the diagram below. A small flat-head screwdriver is required.



*After 2004, wiring installation colours changed:
LIVE Brown replaces Red
EARTH Green/Yellow sleeving
NEUTRAL Blue replaces Black

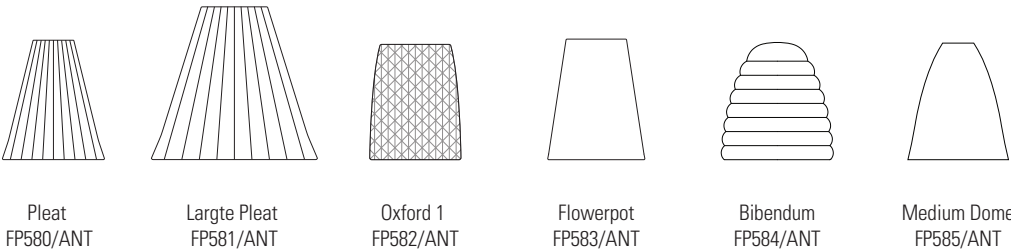
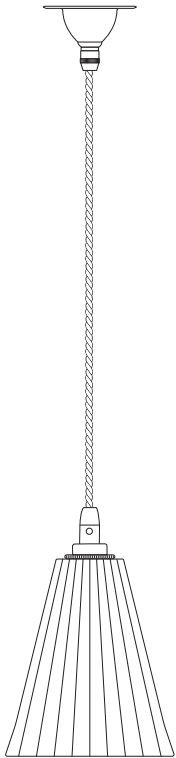
- 10. Double check all the connections are secure and that no loose strands of wire are left out of the connector. Ensure that the lid of the connector block is closed firmly and no loose strands of wire remain outside.
11. Check that no wires are trapped behind or within the fitting and complete the installation, see hanging instructions inside.
12. Fit the correct type and wattage of lamp (or less). Be careful not to overtighten the lamp.
13. Switch on at the fuse-board. Your light fitting is now ready for use.

Other Important Information

Switch off at mains before changing lamp(s). Never fit a lamp of greater wattage than recommended. Ensure children do not play with the light fitting. Dispose of old lamps carefully. Never leave a fitting without a lamp in position (or someone can accidentally touch the contacts). Adjust fitting only when power to the fitting is off and has been left to cool. If the external flexible cable or cord of this luminaire is damaged, it shall be exclusively replaced by the manufacturer or his service agent or a similar qualified person in order to avoid a hazard. For use in a dry, indoor environment only. Ensure the fitting does not come into contact with any liquids.

Cleaning and Maintenance

Metal finishes should only be cleaned with a soft, dry cloth. Do not use polishes or abrasives. Bone china can be cleaned with a soft damp cloth, or with a diluted mild detergent (non-abrasive). Switch off power to the fitting before cleaning.



Established in 1990, Original BTC manufactures relaxed, familiar lighting for traditional and contemporary homes. All products are hand-assembled in Oxfordshire from high quality components, produced in the UK.

ORIGINALBTC.COM
+44 (0)1993 882 251
UNIT 21 / 22 AVENUE ONE, STATION LANE, WITNEY, OX28 4XZ, ENGLAND



ORIGINAL BTC





Antique Brass Pendant Light

| 230V AC 50Hz | IP20 |

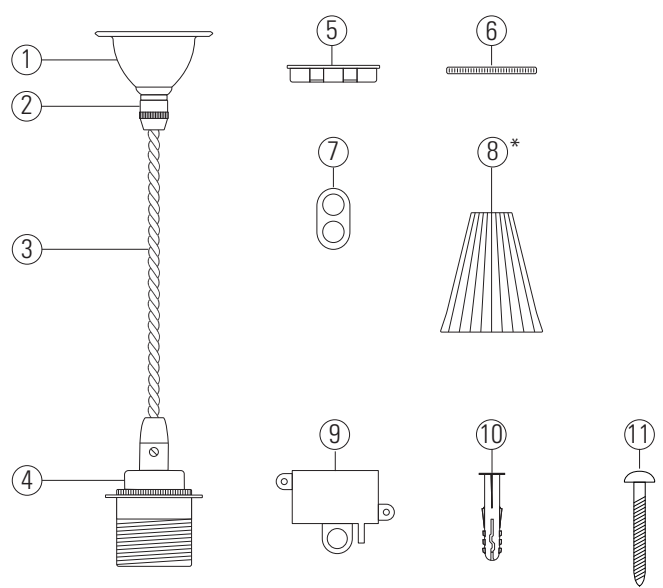
- FP580/ANT Antique Brass Pleat, Matt
- FP581/ANT Antique Brass Large Pleat, Matt
- FP582/ANT Antique Brass Oxford 1, Matt
- FP583/ANT Antique Brass Flowerpot, Matt
- FP584/ANT Antique Brass Bibendum, Matt
- FP585/ANT Antique Brass Medium Dome, Matt

LAMP GUIDANCE : NB lamp not included

BASE	SHAPE	TYPE	WATTAGE*
		LED	6W (recommended)
E27	GLS	Incandescent	40W Max

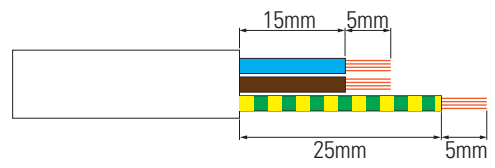
* Wattage value provided as a guide to suitable lamps. Lower wattage than stated may be used. 2700K (warm white) recommended.

Contents



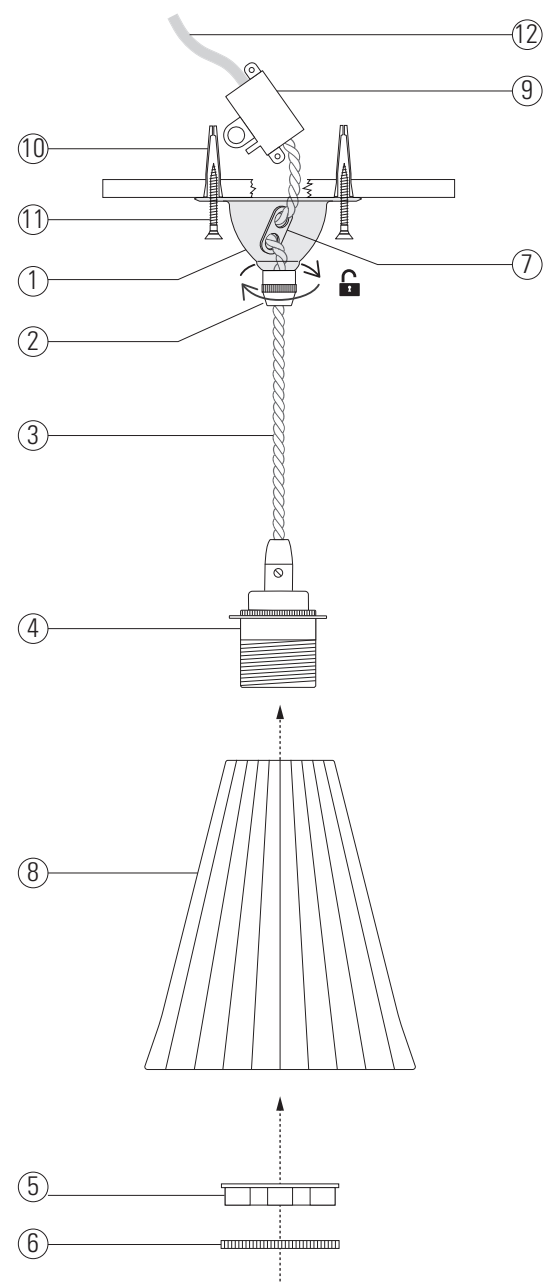
- ### Contents
- 1 Ceiling rose
 - 2 Ceiling rose cord grip
 - 3 Luminaire flex
 - 4 Lampholder
 - 5 Plastic shade ring
 - 6 Brass shade ring
 - 7 2-Hole cord grip
 - 8 *Shade
 - 9 Connector block
 - 10 Rawl plug (x2)
 - 11 Fixing screw (x2)
- *refer cover page for shade reference*

Supply Cable Preparation



Please prepare the supply cable as shown. Note the maximum conductor size 1.5mm².

Installation Diagram



Key	
1 Ceiling rose	9 Connector block
2 Ceiling rose cord grip	10 Rawl plug
3 Luminaire flex	11 Fixing screw
4 Lamp holder	12 Main supply*
5 Plastic shade ring	
6 Brass shade disc	
7 2-Hole cord grip	
8 Shade	

**Not supplied*

Installation Instructions

Refer to the diagrams & read the Safety & Installation instructions overleaf.

Take care when handling ceramic products during installation.

- STEP 1** - Read all the instructions on the back page.
- STEP 2** - Mark and drill suitable holes, refer to points 1 to 6 on the back page.
- STEP 3** - Shorten the cable, if desired. Loosen the ceiling rose cord grip (2), then pulling the cable up to to desired length. Refer to point 7 on the back page & the diagram on the opposite page.
- STEP 4** - Adjust the position of the 2-hole cord grip (7), make sure the it is pushed against the edge of the nut inside the ceiling rose (1). Then tighten the ceiling rose cord grip (2).
- STEP 5** - Make the electrical connections, using the connector block (9) provided and referring to points 8 to 10 on the back page.
- STEP 6** - Secure the ceiling rose (1) to the ceiling using the screws (11) & rawl plugs (10) provided, or suitable alternatives as described in point 6 on the back page.
- STEP 9** - Assemble the shade (8) as shown. The black plastic shade ring (5) is used as a spacer and is secured with the brass shade ring (6).

PLEASE READ THE INSTRUCTIONS ON THE REVERSE BEFORE YOU BEGIN INSTALLING YOUR LIGHT