

Safety & Installation Instructions

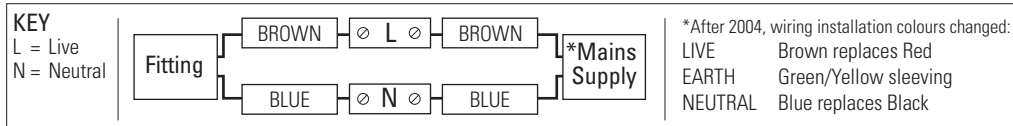
v1.4-12.22

Hector Large Pleat Ceiling Light

Instruction Manual

These instructions are provided for your safety in order to prevent the risk of Fire, Electric shock or Injury. It is vitally important that they are read in their entirety before installing your fitting. Please retain for future reference.

1. If you are in any doubt consult a qualified electrician as to the installation of the fitting. Install in accordance with current IEE wiring regulations. It is recommended that this fitting is installed by a qualified electrician.
2. Ensure that the electrical supply is OFF. Disconnect the electrical supply at the fuse-board.
3. If removing an existing fitting first, note all wiring connections: record which of the house wires is connected to the live, neutral and earth terminals.
4. Carefully identify where the supply cable is (and check there are no other cables in the area) to avoid damage to concealed wiring during installation.
5. Position the light where desired ensuring that there is suitable support adjacent to where you will connect to the house supply and mark position of fixing holes, before drilling appropriate holes as below.
6.
 - a. Brick or masonry: Drill holes into which the wall plugs tightly fit, then insert wall plugs.
 - b. Wood: No hole necessary (unless small pilot hole required), screws can be screwed directly into the timber.
 - c. Plaster/Cavity: Special cavity wall fittings are required, rather than provided fixings. These are widely available from good hardware or DIY store and should come with their own instructions that must be followed. It may be easier to relocate the fitting so that you screw directly into a timber joist or beam.
7. Once desired drop determined, adjust the flex length accordingly. Consult an electrician if in any doubt.
 - Use wire cutters to cut flex at desired length and then remove 20mm of outer insulation (making sure no damage occurs to the interior cables).
 - Remove 5mm of insulation from the conductors, ready to be wired into a connector block.
8. Support the fitting so that no strain is applied to the wiring when making the electrical connections. If necessary get a colleague to help.
9. Electrical connection: this light fitting is Class II (double-insulated). Make connections using the terminal block, following the diagram below. A small flat-head screwdriver is required.



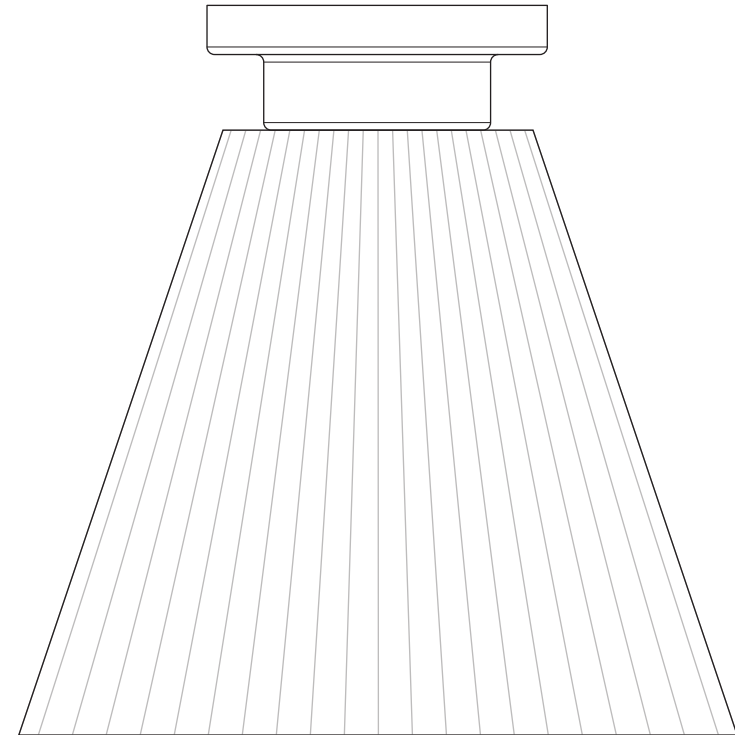
10. Double check all the connections are secure and that no loose strands of wire are left out of the terminal block. Ensure the lid of the terminal block is closed securely.
11. Check that no wires are trapped behind or within the fitting and complete the installation, see hanging instructions inside.
12. Fit the correct type and wattage of lamp (or less). Be careful not to overtighten the lamp.
13. Switch on at the fuse-board. Your light fitting is now ready for use.

Other Important Information

Switch off at mains before changing lamp(s). Never fit a lamp of greater wattage than recommended. Ensure children do not play with the light fitting. Dispose of old lamps carefully. Never leave a fitting without a lamp in position (or someone can accidentally touch the contacts). Adjust fitting only when power to the fitting is off and has been left to cool. If the external flexible cable or cord of this luminaire is damaged, it shall be exclusively replaced by the manufacturer or his service agent or a similar qualified person in order to avoid a hazard. For use in a dry, indoor environment only. Ensure the fitting does not come into contact with any liquids.

Cleaning and Maintenance

Metal finishes should only be cleaned with a soft, dry cloth. Do not use polishes or abrasives. Bone china can be cleaned by hand, using a soft damp cloth with a diluted mild detergent (nonabrasive) if necessary. Switch off power to the fitting before cleaning.



Established in 1990, Original BTC manufactures relaxed, familiar lighting for traditional and contemporary homes.

All products are hand-assembled in Oxfordshire from high quality components, produced in the UK.

ORIGINALBTC.COM

+44 (0)1993 882 251

UNIT 21 / 22 AVENUE ONE, STATION LANE, WITNEY, OX28 4XZ, ENGLAND






ORIGINAL BTC
BRITISH LIGHTING MANUFACTURERS
LONDON - NEW YORK - PARIS



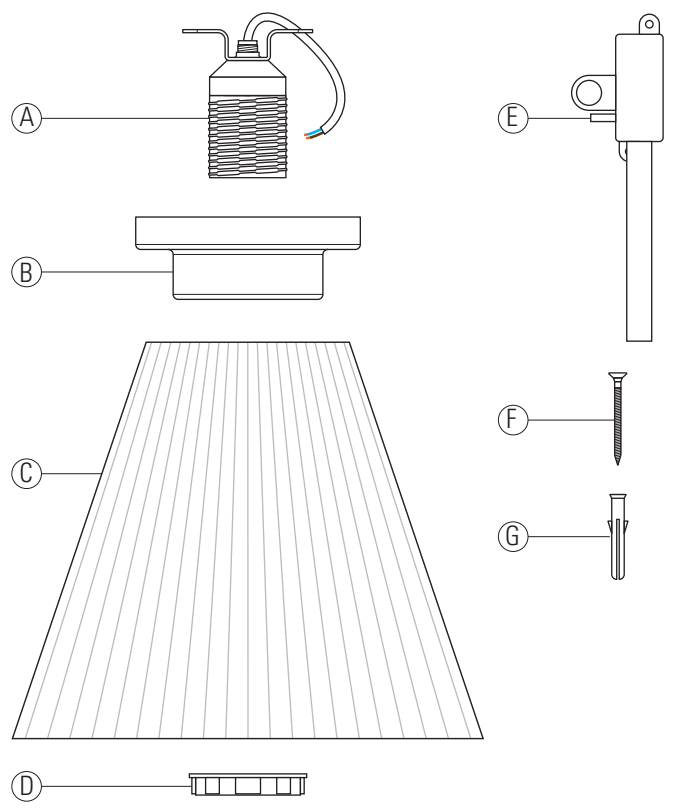
Hector Large Pleat Ceiling Light

| 230V AC 50Hz | IP20 |

- FC573LP Hector Large Pleat Ceiling Light, Polished Aluminum
- FC573LS Hector Large Pleat Ceiling Light, Brushed Aluminum
- FC573/SA/BR Hector Large Pleat Ceiling Light, Satin Brass
- FC573/ANT Hector Large Pleat Ceiling Light, Antique Brass

LAMP GUIDANCE			
BASE	SHAPE	TYPE*	WATTAGE**
 E27	 GLS	 BALL	INCANDESCENT ✓
			CFL ✓
			ECO-HALOGEN ✗
			LED ✓
* Warm white (2700k) LED lamps recommended. ** Wattage value provided as a guide to suitable lamps. Lower wattage than stated may be used.			40W MAX 11W N/A 6W

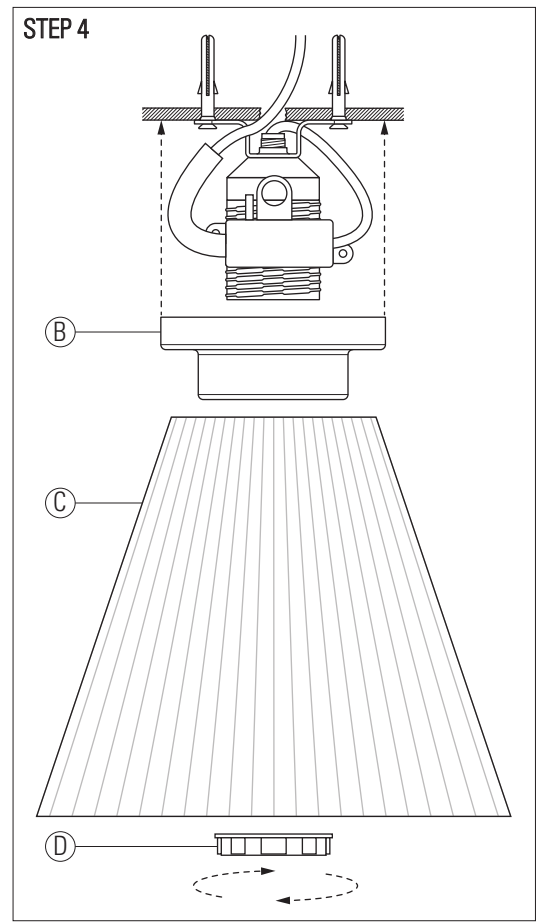
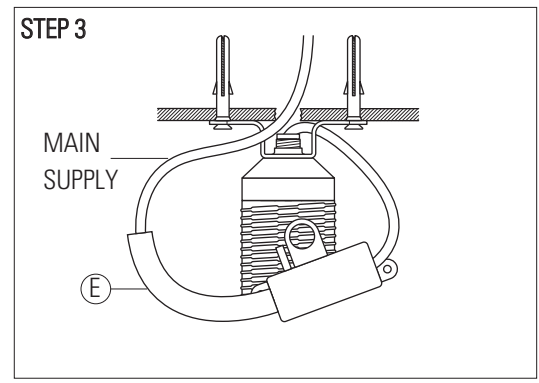
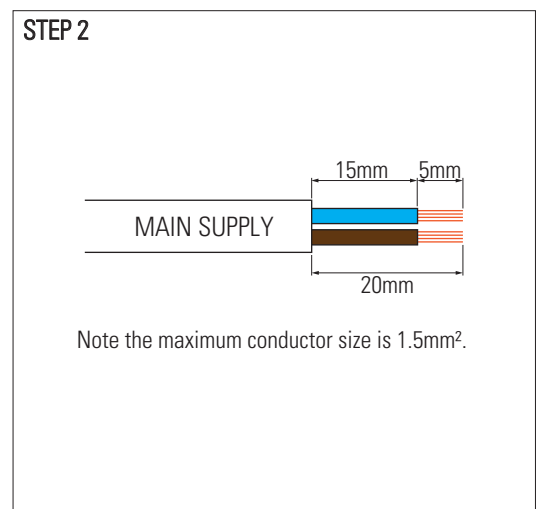
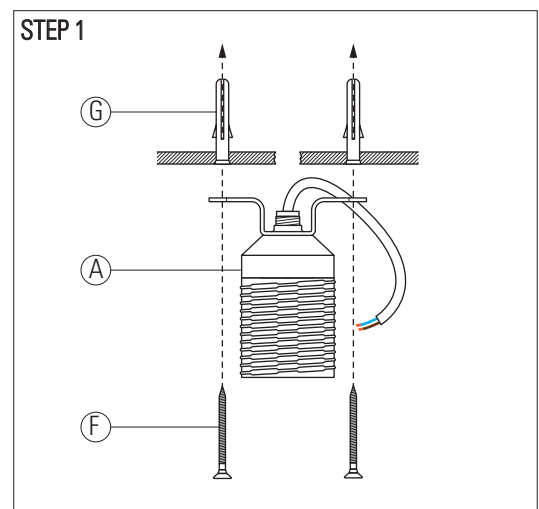
Contents



- ### Contents
- A Bracket & lampholder
 - B Ceiling rose
 - C Shade
 - D Shade ring
 - E Terminal block
 - F Fixing screw (x2)
 - G Rawl plugs (x2)
- ### Tools Required
- Cross head screwdriver
 - Small flat-head screwdriver
 - Drill (if holes are required)

PLEASE READ THE INSTRUCTIONS ON THE REVERSE BEFORE YOU BEGIN INSTALLING YOUR LIGHT

Installation Diagram & Instructions



Installation Instructions

Please read through all instructions on the back page before attempting to install your light.

STEP 1 - Secure the bracket/lampholder (A) to the ceiling using the fixings (F & G) provided, or other suitable means as described in point 6 on the back page.

STEP 2 - Prepare the supply cable as shown, or as suitable in accordance to wiring regulations.

STEP 3 - Make the connections using the terminal block (E) provided. Refer to point 9 on the back page.

STEP 4 - Assemble the fitting as shown. The terminal block is housed inside the ceiling rose (B). The ceiling rose & shade (C) are secured by the shade ring (D).