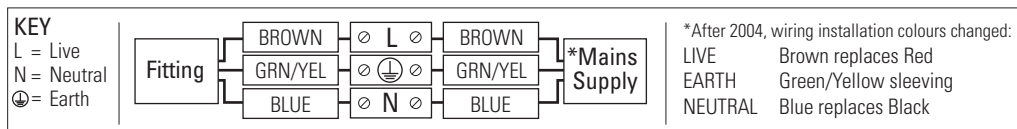


# Safety & Installation Instructions

v1.1-01.23

These instructions are provided for your safety in order to prevent the risk of Fire, Electric shock or Injury. It is vitally important that they are read in their entirety before installing your fitting. Please retain for future reference.

1. If you are in any doubt consult a qualified electrician as to the installation of the fitting. Install in accordance with current IEE wiring regulations. It is recommended that this fitting is installed by a qualified electrician.
2. Ensure that the electrical supply is OFF. Disconnect the electrical supply at the fuse-board.
3. If removing an existing fitting first, note all wiring connections: record which of the house wires is connected to the live, neutral and earth terminals.
4. Carefully identify where the supply cable is (and check there are no other cables in the area) to avoid damage to concealed wiring during installation.
5. Position the light where desired ensuring that there is suitable support adjacent to where you will connect to the house supply and mark position of fixing holes, before drilling appropriate holes as below.
  - a. Brick or masonry: Drill holes into which the wall plugs tightly fit, then insert wall plugs.
  - b. Wood: No hole necessary (unless small pilot hole required), screws can be screwed directly into the timber.
  - c. Plaster/Cavity: Special cavity wall fittings are required, rather than provided fixings. These are widely available from good hardware or DIY store and should come with their own instructions that must be followed. It may be easier to relocate the fitting so that you screw directly into a timber joist or beam.
7. Support the fitting so that no strain is applied to the wiring when making the electrical connections.
8. Electrical connection - this light fitting must be earthed. Make connections following the diagram below. A small flat-head screwdriver is required.



9. Double check all the connections are secure and that no loose strands of wire are left out of the connector and that the lid of the terminal block is closed securely after making the connections.
10. Check that no wires are trapped behind or within the fitting and complete the installation, referring to the Installation diagram inside.
11. Fit the correct type and wattage of lamp (or less). Be careful not to overtighten the lamp.
12. Switch on at the fuse-board. Your light fitting is now ready for use.

## Other Important Information

Switch off at mains before changing lamp(s). Never fit a lamp of greater wattage than recommended. Ensure children do not play with the light fitting. Dispose of old lamps carefully. Never leave a fitting without a lamp in position (or someone can accidentally touch the contacts). Adjust fitting only when power to the fitting is off and has been left to cool. If the external flexible cable or cord of this luminaire is damaged, it shall be exclusively replaced by the manufacturer or his service agent or a similar qualified person in order to avoid a hazard. For use in dry, indoor environment only. Ensure the fitting does not come into contact with any liquids.

## Cleaning and Maintenance

Metal finishes should only be cleaned with a soft, dry cloth. Do not use polishes or abrasives. Switch off power to the fitting before cleaning. Spare parts are available for this product, please contact us on the details below.

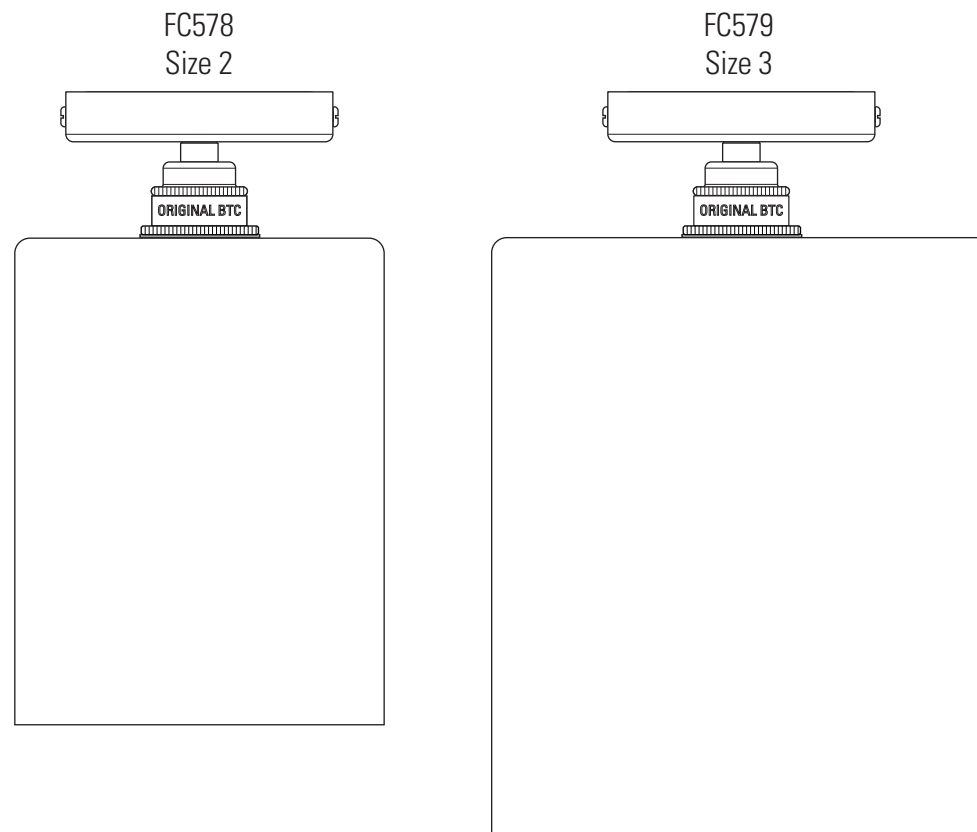
Established in 1990, Original BTC manufactures relaxed, familiar lighting for traditional and contemporary homes. All products are hand-assembled in Oxfordshire from high quality components, produced in the UK.

ORIGINALBTC.COM  
+44 (0)1993 882 251  
UNIT 21 / 22 AVENUE ONE, STATION LANE, WITNEY, OX28 4XZ, ENGLAND



# Brompton Ceiling Lights

## Instruction Manual






**ORIGINAL BTC**  
BRITISH LIGHTING MANUFACTURERS  
LONDON - NEW YORK - PARIS



# Brompton Ceiling Lights

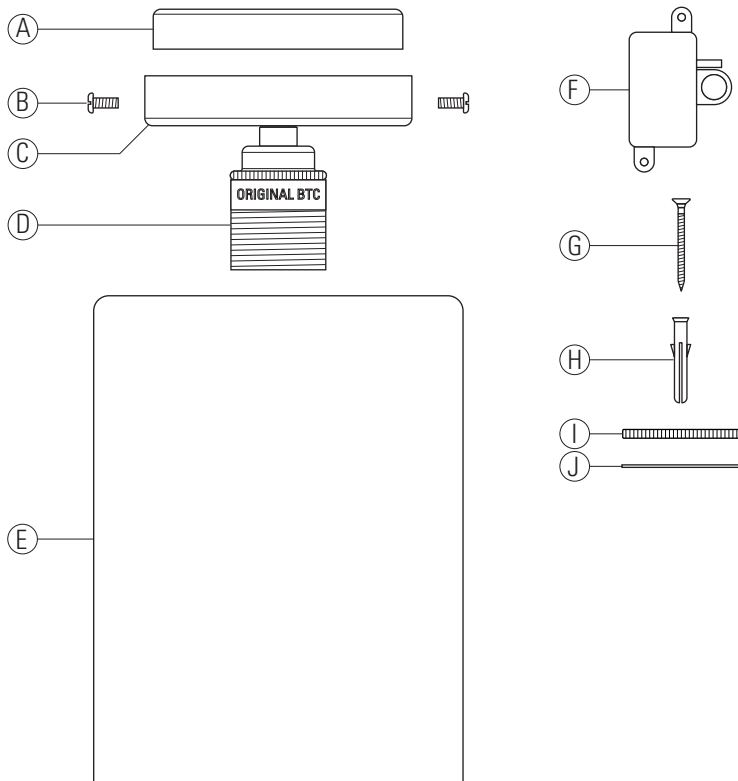
| 230V AC 50Hz | IP20 |

FC578 Brompton Ceiling Light, Size 2  
 FC579 Brompton Ceiling Light, Size 3

LAMP GUIDANCE			
BASE	SHAPE	TYPE*	WATTAGE**
 E27	 GLS  BALL	INCANDESCENT ✓	40W MAX
		CFL ✓	11W
		ECO-HALOGEN ✓	N/A
		LED ✓	6W

\* Warm white (2700k) LED lamps recommended.  
 \*\* Wattage value provided as a guide to suitable lamps. Lower wattage than stated may be used.

## Contents



## Contents

- A Steel fixing plate
- B Ceiling rose screw (x2)
- C Ceiling rose
- D Lampholder
- E Glass shade
- F Connector block
- G Fixing screw (x2)
- H Rawl plug (x2)
- I Shade ring (x2)
- J Gasket (x2)

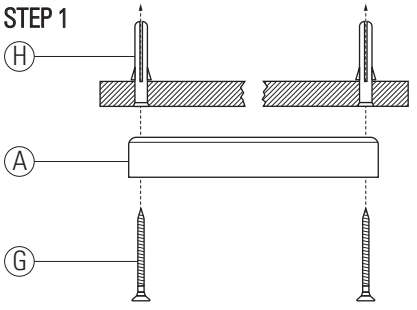
## Tools Required

- Cross head screwdriver
- Small flat-head screwdriver
- Drill (if holes are required)

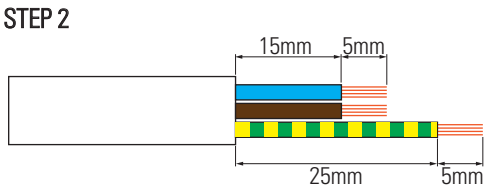
PLEASE READ THE INSTRUCTIONS ON THE REVERSE BEFORE YOU BEGIN INSTALLING YOUR LIGHT

## Installation Diagram & Instructions

### STEP 1

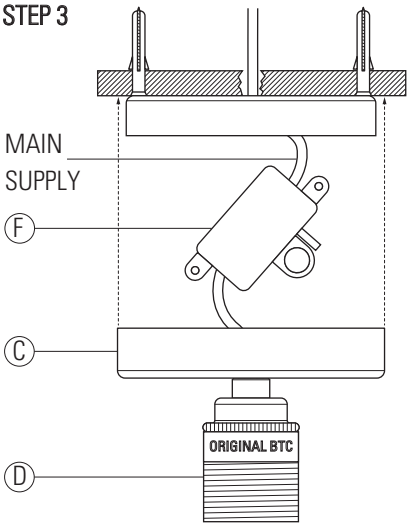


### STEP 2

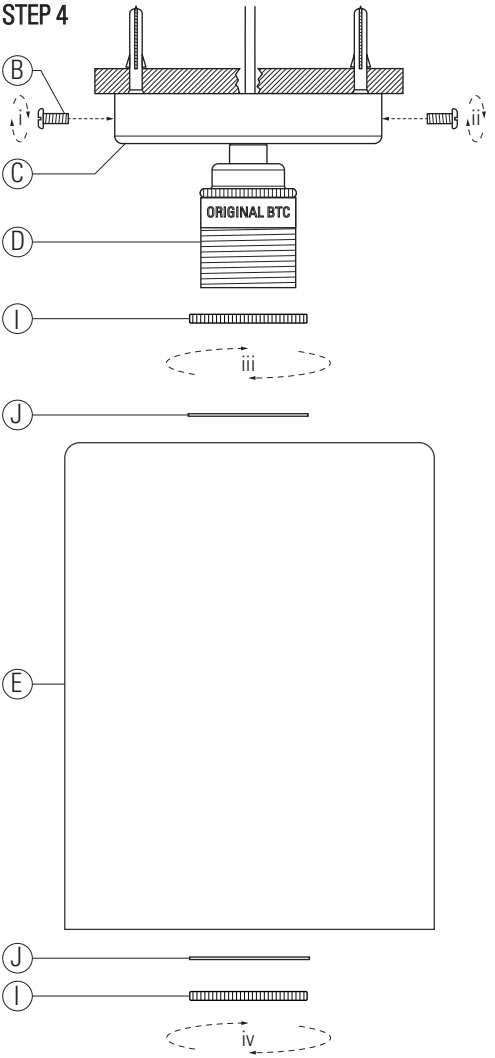


Please prepare the supply cable as shown. Note the maximum conductor size is 1.5mm<sup>2</sup>.

### STEP 3



### STEP 4



### Installation Instructions

Please read through all instructions on the back page before attempting to install your light.

**STEP 1** - Secure the steel fixing plate (A) to the ceiling, refer to point 6 on the back page.

**STEP 2** - Prepare the supply cable as shown, or as suitable in accordance to wiring regulations.

**STEP 3** - Make the connections using the terminal block (F) provided. Refer to point 8 on the back page.

**STEP 4** - Assemble the fitting as shown. Secure the ceiling rose to the steel fixing plate using the two ceiling rose screws (B). The glass shade (E) is held between the gaskets (J) and shade rings (I), as shown opposite.