

Fig. A

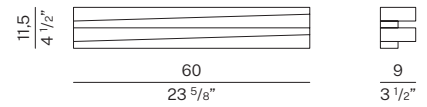
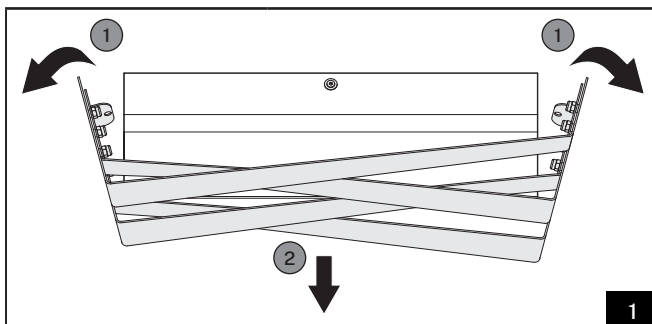
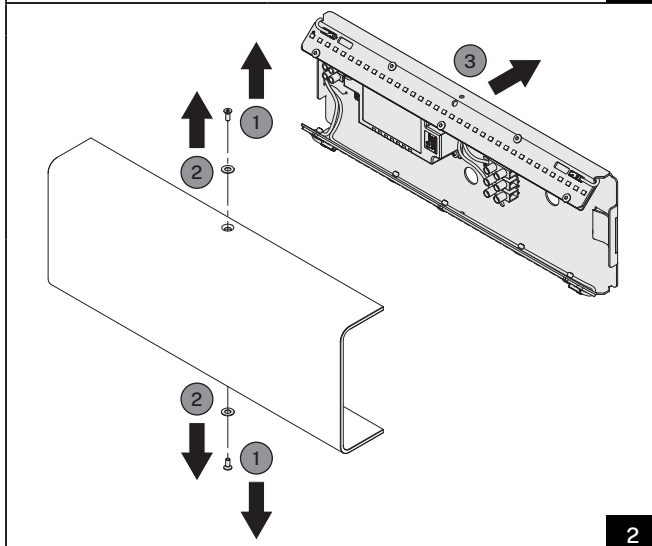


Fig. B

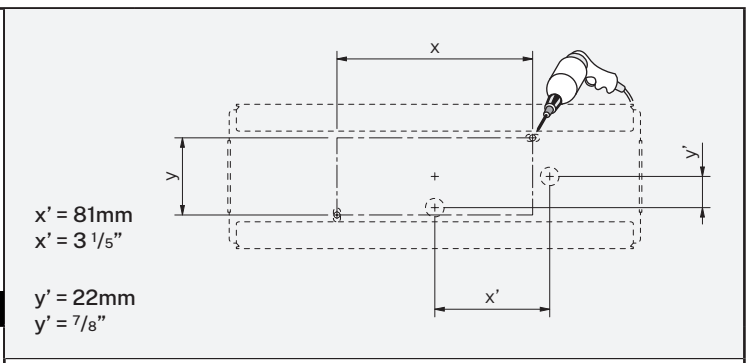
CODE	LAMP	WIRING VERSION	IMAGE
A049__030__01	LED	ON-OFF	A
A049__030__02	LED	DALI / PUSH DIM	A
A049__060__01	LED	ON-OFF	B
A049__060__02	LED	DALI / PUSH DIM	B



1

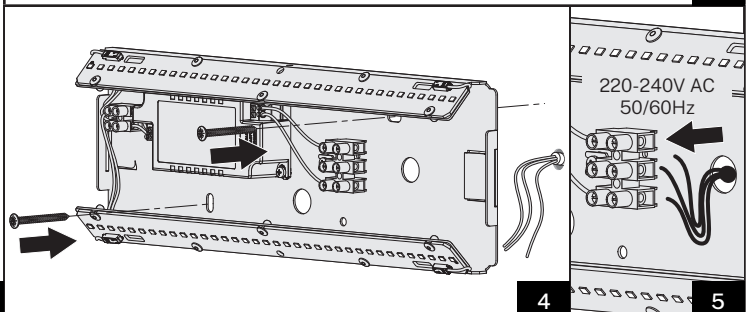


2

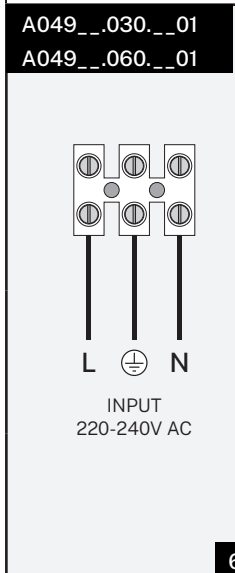


CODE	x	y
A049__030__01	138mm - 5 ³ / ₇ ''	55mm - 2 ¹ / ₈ ''
A049__030__02	138mm - 5 ³ / ₇ ''	55mm - 2 ¹ / ₈ ''
A049__060__01	518mm - 20 ² / ₅ ''	55mm - 2 ¹ / ₈ ''
A049__060__02	518mm - 20 ² / ₅ ''	55mm - 2 ¹ / ₈ ''

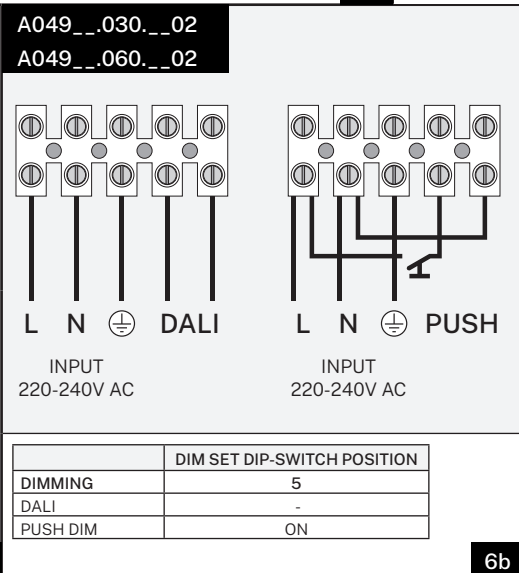
3



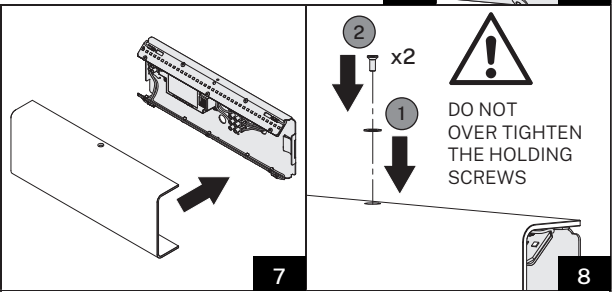
4



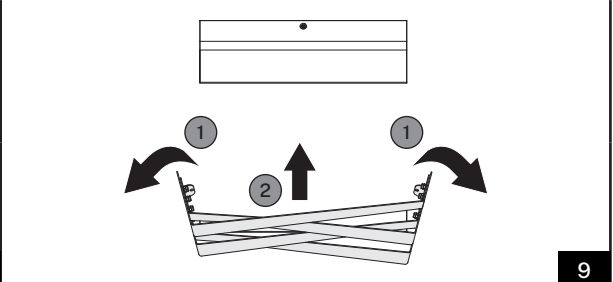
6a



6b



7



9