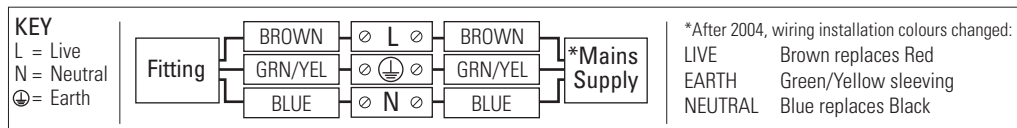


Safety & Installation Instructions

These instructions are provided for your safety in order to prevent the risk of Fire, Electric shock or Injury. It is vitally important that they are read in their entirety before installing your fitting. Please retain for future reference.

1. If you are in any doubt consult a qualified electrician as to the installation of the fitting. Install in accordance with current IEE wiring regulations. It is recommended that this fitting is installed by a qualified electrician.
2. Ensure that the electrical supply is OFF. Disconnect the electrical supply at the fuse-board.
3. If removing an existing fitting first, note all wiring connections: record which of the house wires is connected to the live, neutral and earth terminals.
4. Carefully identify where the supply cable is (and check there are no other cables in the area) to avoid damage to concealed wiring during installation.
5. Position the light where desired ensuring that there is suitable support adjacent to where you will connect to the house supply and mark position of fixing holes, before drilling appropriate holes as below.
6.
 - a. Brick or masonry: Drill holes into which the wall plugs tightly fit, then insert wall plugs.
 - b. Wood: No hole necessary (unless small pilot hole required), screws can be screwed directly into the timber.
 - c. Plaster/Cavity: Special cavity wall fittings are required, rather than provided fixings. These are widely available from good hardware or DIY store and should come with their own instructions that must be followed. It may be easier to relocate the fitting so that you screw directly into a timber joist or beam.
7. Support the fitting so that no strain is applied to the wiring when making the electrical connections. If necessary get a colleague to help.
8. Electrical connection: this light fitting must be earthed. Make connections following the diagram below. A small flat-head screwdriver is required.



9. Double check all the connections are secure and that no loose strands of wire are left out of the connector, Use a good quality electrical insulation tape to cover the connector blocks and at least 25mm of the cables going in to either end of the connectors.
10. Check that no wires are trapped behind or within the fitting and complete the installation, referring to the Installation diagram inside.
11. Fit the correct type and wattage of lamp (or less). Be careful not to overtighten the lamp.
12. Switch on at the fuse-board. Your light fitting is now ready for use.

Other Important Information

Switch off at mains before changing lamp(s). Never fit a lamp of greater wattage than recommended. Ensure children do not play with the light fitting. Dispose of old lamps carefully. Never leave a fitting without a lamp in position (or someone can accidentally touch the contacts). Adjust fitting only when power to the fitting is off and has been left to cool. If the electrical flex or electrical components become damaged at any point, power to the fitting should be disconnected immediately and not operated until the damaged parts are fixed/replaced. For use in a dry, indoor environment only. Ensure the fitting does not come into contact with any liquids.

Cleaning and Maintenance

Metal finishes should only be cleaned with a soft, dry cloth. Do not use polishes or abrasives. Bone china can be cleaned by hand, using a soft damp cloth with a diluted mild detergent (nonabrasive) if necessary. Switch off power to the fitting before cleaning.

Established in 1990, Original BTC manufactures relaxed, familiar lighting for traditional and contemporary homes. All products are hand-assembled in Oxford from high quality components, produced in the UK.

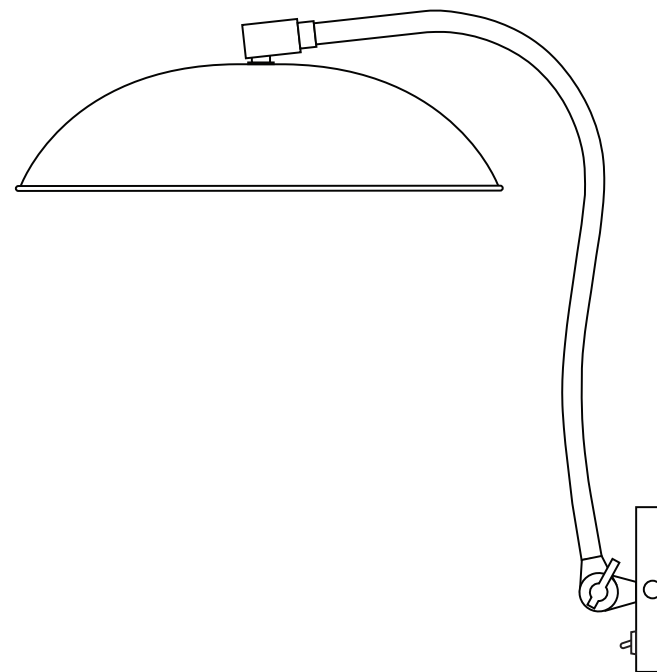
ORIGINALBTC.COM
+44 (0)1993 882 251
UNIT 21 / 22 AVENUE ONE, STATION LANE, WITNEY, OX28 4XZ, ENGLAND



Hugo Wall Light

Instruction Manual

FW516



ORIGINAL BTC
BRITISH LIGHTING MANUFACTURERS
LONDON - NEW YORK - PARIS






Hugo Wall Light

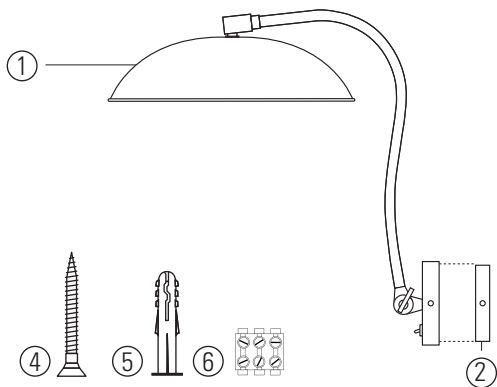
| 230V ac 50Hz | IP20

FW516 Hugo Wall Light

The Hugo Wall Light offers functionality and style. with its curvaceous stem and wide based, positionable shade with polished edges.

LAMP GUIDANCE			
BASE	SHAPE	TYPE*	WATTAGE**
 E27	 GLS	INCANDESCENT ✓	40W MAX
	 BALL	CFL ✓	11W
		ECO-HALOGEN ✗	n/a
		LED ✓	7W

* Warm white (2700k) low energy lamps recommended.
 ** Wattage value provided as a guide to suitable lamps. Lower wattage than stated may be used.



Contents

- 1 - Hugo Wall Fitting
- 2 - Fixing Plate
- 3 - Side Fixing Screws
- 4 - 2 x fixing screws
- 5 - 2 x rawl plugs
- 6 - Connector Block

Required for Installation

- Screwdriver, cross-head
- Small screwdriver, flat-head
- Drill (if holes are required)

PLEASE READ THE INSTRUCTIONS ON THE REVERSE BEFORE YOU BEGIN INSTALLING YOUR LIGHT

Installation and Assembly Instructions

Refer to diagrams on opposite page.

STEP 1 see fig.1

- Remove fixing plate (D) from backplate of fitting, removing the two side fixing screws (G), then mark fixing holes through fixing plate (D), before drilling holes (see points 5 & 6 on reverse).
- Ensure the two side fixings on the fixing plate are completely level, before installing fixing plate. This will ensure the light fitting sits straight and level when mounted to the wall.
- Ensure fixing plate is securely installed on to the wall, before proceeding.

STEP 2

Make electrical connection; see points 8 to 11 on reverse page.

Installation Diagram

STEP 1 & 2

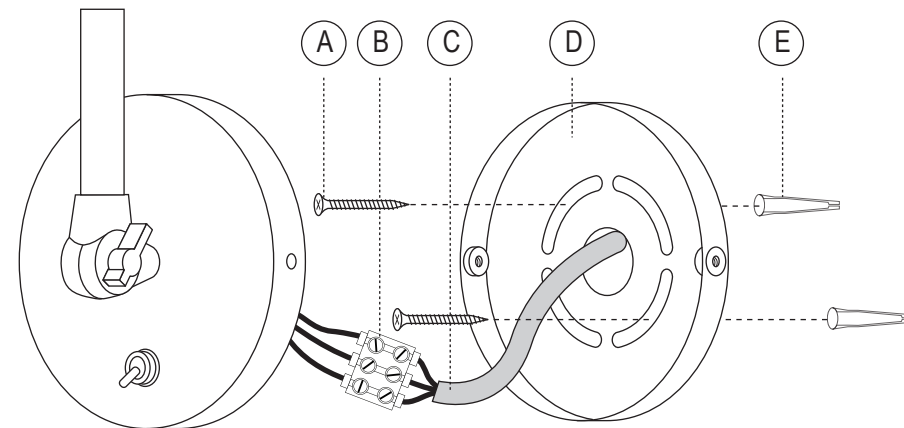


Fig.1

STEP 3

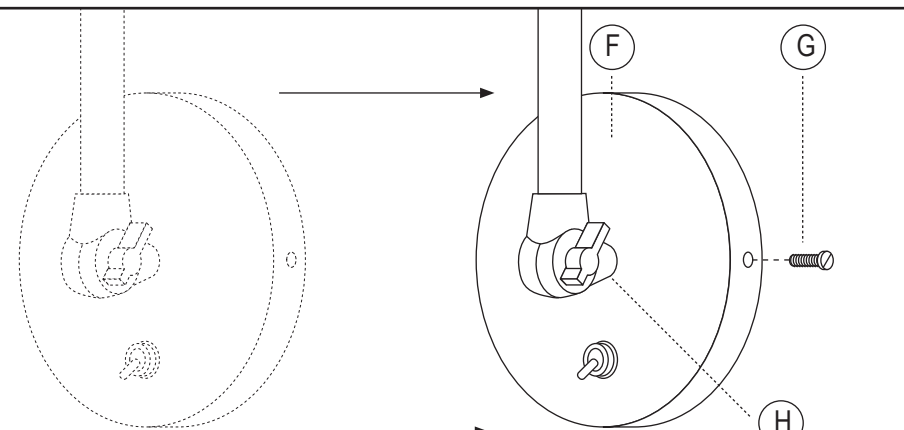


Fig.2

Key

A Fixing Screws	D Fixing Base Plate	G Side Fixing Screws
B Connector Block	E Rawl Plugs	H Knuckle Joint
C Main Supply	F Backplate	

STEP 3 see fig.2

- While supporting the fitting, push the backplate (F) over the fixing plate (D), so that the two side holes line up on both the backplate and the fixing plate.
- Insert the two side fixing screws (G) and screw in firmly, ensuring the fitting is mounted securely to the wall.
- Having installed the fitting, insert the correct lamp type, observing the max wattage. Do not overtighten. We recommend using low energy (CFL or LED) lamps.
- Both the angle of the arm and the shade may be adjusted. To adjust the angle of the arm:
 - Loosen the knuckle joint by gently turning the handle on the joint (H), while supporting the arm with the other hand.
 - Once the desired angle has been achieved, firmly tighten the knuckle joint to secure the arm's position.