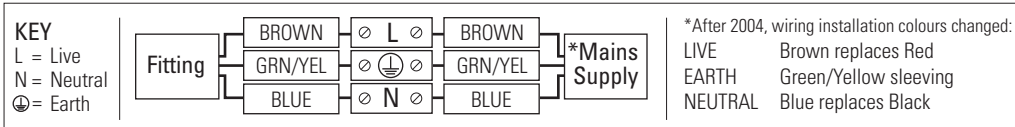


## Instruction Manual

These instructions are provided for your safety in order to prevent the risk of Fire, Electric shock or Injury. It is vitally important that they are read in their entirety before installing your fitting. Please retain for future reference.

1. If you are in any doubt consult a qualified electrician as to the installation of the fitting. Install in accordance with current IEE wiring regulations. It is recommended that this fitting is installed by a qualified electrician.
2. Ensure that the electrical supply is OFF. Disconnect the electrical supply at the fuse-board.
3. If removing an existing fitting first, note all wiring connections: record which of the house wires is connected to the live, neutral and earth terminals.
4. Carefully identify where the supply cable is (and check there are no other cables in the area) to avoid damage to concealed wiring during installation.
5. Position the light where desired ensuring that there is suitable support adjacent to where you will connect to the house supply and mark position of fixing holes, before drilling appropriate holes as below.
6.
  - a. Brick or masonry: Drill holes into which the wall plugs tightly fit, then insert wall plugs.
  - b. Wood: No hole necessary (unless small pilot hole required), screws can be screwed directly into the timber.
  - c. Plaster/Cavity: Special cavity wall fittings are required, rather than provided fixings. These are widely available from good hardware or DIY store and should come with their own instructions that must be followed. It may be easier to relocate the fitting so that you screw directly into a timber joist or beam.
7. Support the fitting so that no strain is applied to the wiring when making the electrical connections. If necessary get a colleague to help.
8. Electrical connection: this light fitting must be earthed. Make connections following the diagram below, using the terminal block provided. A small flat-head screw driver is required.



9. Double check all the connections are secure and that no loose strands of wire are left out of the connector. Ensure the lid of the terminal block is closed securely after making connections.
10. Check that no wires are trapped behind or within the fitting and complete the installation, referring to the Installation diagram inside.
11. Fit the correct type and wattage of lamp (or less). Be careful not to overtighten the lamp.
12. Switch on at the fuse-board. Your light fitting is now ready for use.

### Other Important Information

Switch off at mains before changing lamp(s). Never fit a lamp of greater wattage than recommended. Ensure children do not play with the light fitting. Dispose of old lamps carefully. Never leave a fitting without a lamp in position (or someone can accidentally touch the contacts). Adjust fitting only when power to the fitting is off and has been left to cool. If the electrical flex or electrical components become damaged at any point, power to the fitting should be disconnected immediately and not operated until the damaged parts are fixed/replaced. For use in dry, indoor environment only. Ensure the fitting does not come into contact with any liquids.

### Cleaning and Maintenance

Metal finishes should only be cleaned with a soft, dry cloth. Do not use polishes or abrasives. Switch off power to the fitting before cleaning. Spare parts are available for this product, please contact us on the details below.

Established in 1990, Original BTC manufactures relaxed, familiar lighting for traditional and contemporary homes.

All products are hand-assembled in Oxford from high quality components, produced in the UK.

ORIGINALBTC.COM

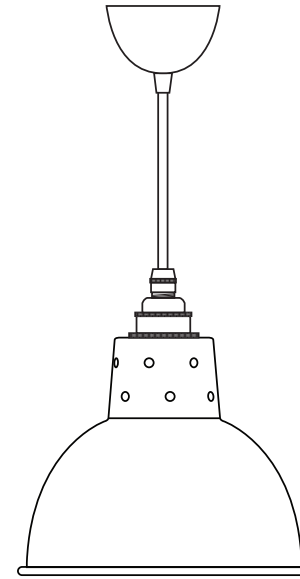
+44 (0)1993 882 251

UNIT 21 / 22 AVENUE ONE, STATION LANE, WITNEY, OX28 4XZ, ENGLAND

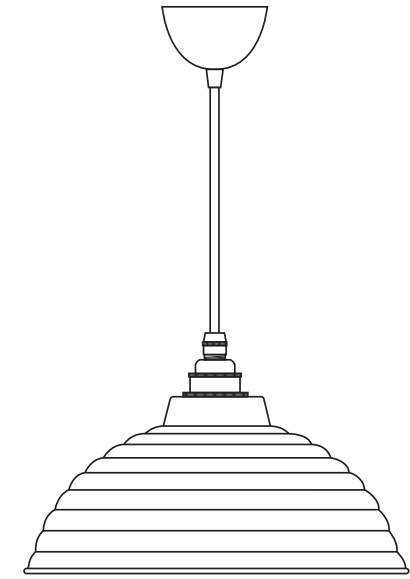


## ORIGINAL BTC

BRITISH LIGHTING MANUFACTURERS  
LONDON - NEW YORK - PARIS



7165/CGLH






7170/CGLH



# Spun Reflector, Cord Grip

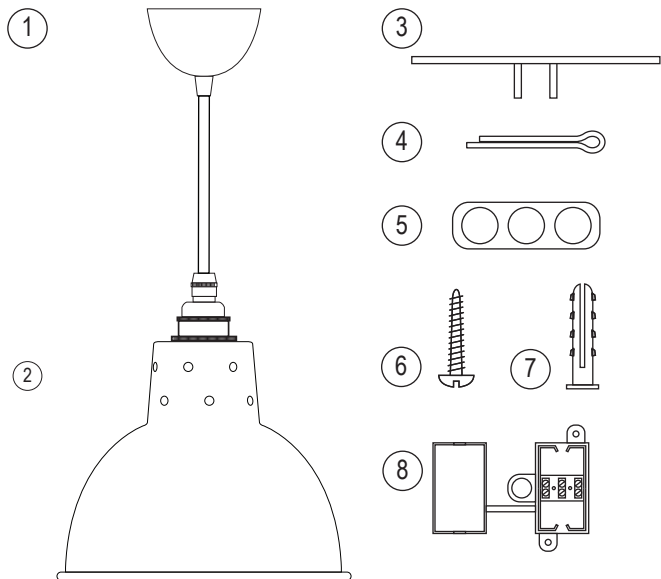
| 230V ac 50Hz | IP20 |

7165/CGLH Spun Reflector, Cord Grip Lampholder  
7170/CGLH Spun Reflector, Cord Grip Lampholder

LAMP GUIDANCE			
BASE	SHAPE	TYPE*	WATTAGE**
 E27	 GLS  BALL	INCANDESCENT ✓	60W MAX
		CFL ✓	15W
		ECO-HALOGEN ✓	42W
		LED ✓	10W

\* Warm white (2700k) low energy lamps recommended.  
\*\* Wattage value provided as a guide to suitable lamps. Lower wattage than stated may be used.

PLEASE READ THE INSTRUCTIONS ON THE REVERSE BEFORE YOU BEGIN INSTALLING YOUR LIGHT



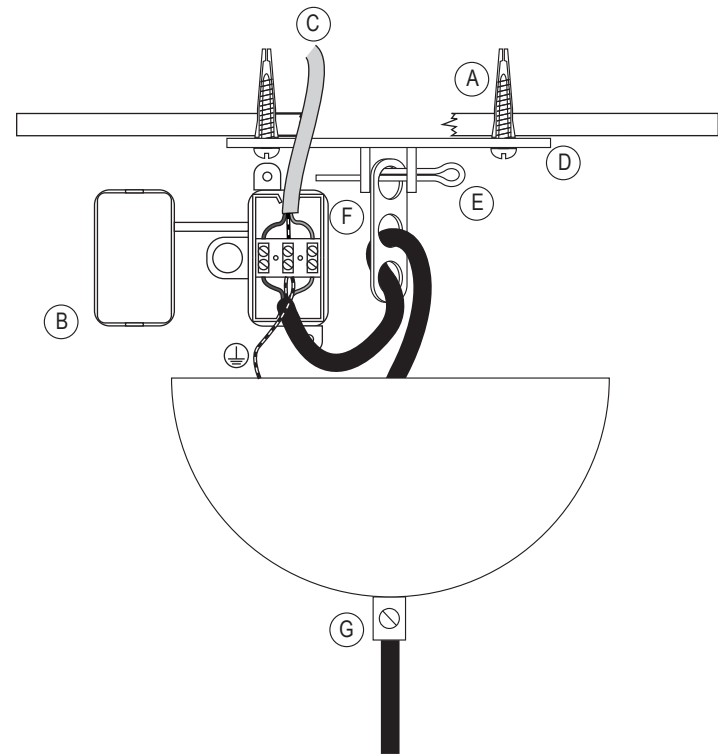
## Contents

- 1 - Ceiling rose
- 2 - Pendant Reflector
- 3 - Bracket
- 4 - Cotter Pin
- 5 - Cord Grip
- 6 - 2 x Fixing screws
- 7 - 2 x Rawl plugs
- 8 - Connector Block

## Required for Installation

- Screwdriver, flat-head
- Small screwdriver, flat-head
- Drill (if holes are required)

## Installation Diagram



A	SCREWS/R. PLUGS	E	COTTER PIN
B	CONNECTOR BLOCK	F	CORD GRIP
C	MAINS SUPPLY	G	CABLE GRIP
D	BRACKET		

## Hanging Instructions

Screw the metal bracket to the ceiling. Place the cotter Pin through the first hole in the bracket and the top hole of cord grip and then through the second hole of the bracket.

The cable must be threaded though the middle hole of the cord grip and out though the third (bottom) hole before wiring, as shown in the diagram. If this is not followed exactly the pendant light will not hang straight.

Make the electrical connection following the instructions overleaf.

The ceiling rose is then pushed up to cover the bracket and cord grip, once in the correct position, hold in place and gently tighten the grub screw inside the cable grip. Do not over tighten the grub screw.