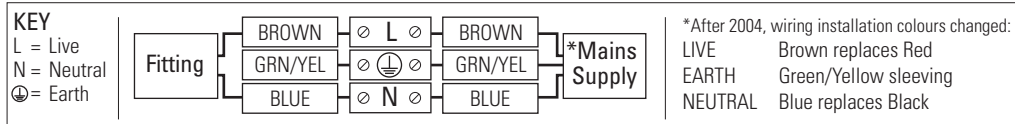


Safety & Installation Instructions

v1.0-04.21

These instructions are provided for your safety in order to prevent the risk of Fire, Electric shock or Injury. It is vitally important that they are read in their entirety before installing your fitting. Please retain for future reference.

1. If you are in any doubt consult a qualified electrician as to the installation of the fitting. Install in accordance with current IEE wiring regulations. It is recommended that this fitting is installed by a qualified electrician.
2. Ensure that the electrical supply is OFF. Disconnect the electrical supply at the fuse-board.
3. If removing an existing fitting first, note all wiring connections: record which of the house wires is connected to the live, neutral and earth terminals.
4. Carefully identify where the supply cable is (and check there are no other cables in the area) to avoid damage to concealed wiring during installation.
5. Position the light where desired ensuring that there is suitable support adjacent to where you will connect to the house supply and mark position of fixing holes, before drilling appropriate holes as below.
6.
 - a. Brick or masonry: Drill holes into which the wall plugs tightly fit, then insert wall plugs.
 - b. Wood: No hole necessary (unless small pilot hole required), screws can be screwed directly into the timber.
 - c. Plaster/Cavity: Special cavity wall fittings are required, rather than provided fixings. These are widely available from good hardware or DIY store and should come with their own instructions that must be followed. It may be easier to relocate the fitting so that you screw directly into a timber joist or beam.
7. Support the fitting so that no strain is applied to the wiring when making the electrical connections. If necessary get a colleague to help.
8. Electrical connection: this light fitting must be earthed. Make connections following the diagram below. A small flat-head screwdriver is required.



9. Double check all the connections are secure and that no loose strands of wire are left out of the connector.
10. Check that no wires are trapped behind or within the fitting and complete the installation, referring to the Installation diagram inside.
11. Fit the correct type and wattage of lamp (or less). Be careful not to overtighten the lamp.
12. Switch on at the fuse-board. Your light fitting is now ready for use.

Other Important Information

Switch off at mains before changing lamp(s). Never fit a lamp of greater wattage than recommended. Ensure children do not play with the light fitting. Dispose of old lamps carefully. Never leave a fitting without a lamp in position (or someone can accidentally touch the contacts). Adjust fitting only when power to the fitting is off and has been left to cool. If the external flexible cable or cord of this luminaire is damaged, it shall be exclusively replaced by the manufacturer or his service agent or a similar qualified person in order to avoid a hazard. For use in a dry, indoor environment only. Ensure the fitting does not come into contact with any liquids.

Cleaning and Maintenance

Metal finishes should only be cleaned with a soft, dry cloth. Do not use polishes or abrasives. Bone china can be cleaned by hand, using a soft damp cloth with a diluted mild detergent (nonabrasive) if necessary. Switch off power to the fitting before cleaning. Spare parts are available for this product, please contact us on the details below.

Established in 1990, Original BTC manufactures relaxed, familiar lighting for traditional and contemporary homes.

All products are hand-assembled in Oxford from high quality components, produced in the UK.

ORIGINALBTC.COM

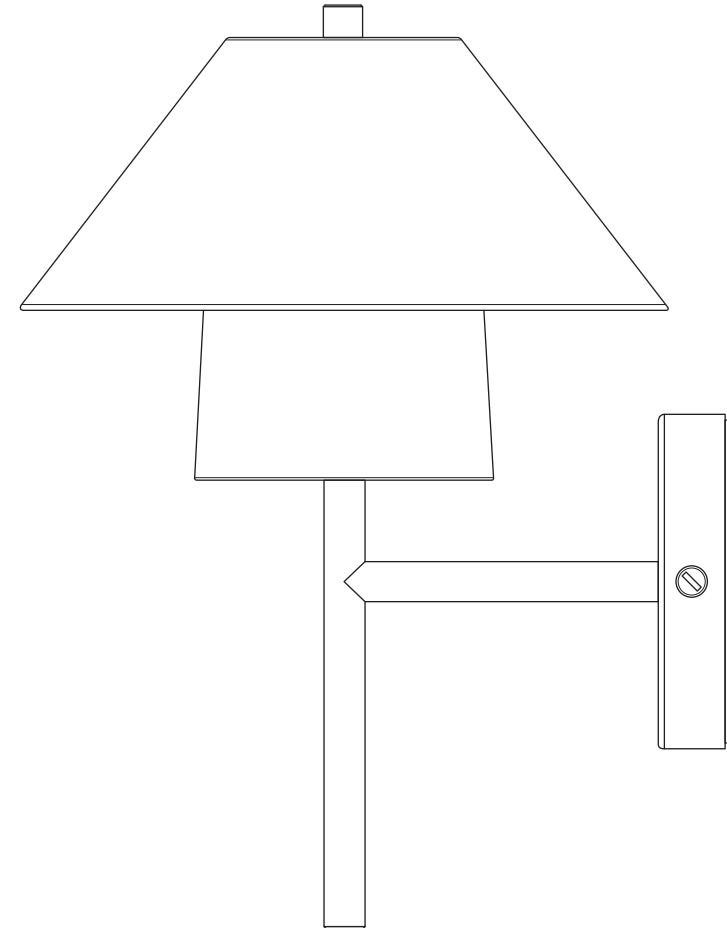
+44 (0)1993 882 251

UNIT 21 / 22 AVENUE ONE, STATION LANE, WITNEY, OX28 4XZ, ENGLAND



Oxford Double Wall Light

Instruction Manual





ORIGINAL BTC
BRITISH LIGHTING MANUFACTURERS
LONDON - NEW YORK - PARIS



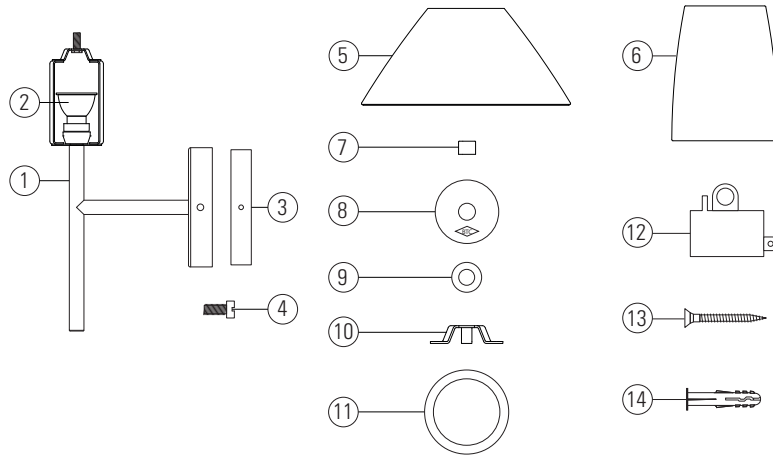
Oxford Double Wall Light

| 230V ac 50Hz | IP20

FW640 Oxford Double Wall Light

LAMP GUIDANCE				
BASE	SHAPE	TYPE*		WATTAGE**
		HALOGEN	x	n/a
GU10	PAR16	LED	✓	10W

Supplied with 4.6W LED bulb * Use LED lamps only. Warm white (2700k) recommended.
 ** Wattage value provided as a guide to suitable lamps. Lower wattage than stated may be used.



Contents

- 1 Main body
- 2 GU10 Lamp (included)
- 3 Wall plate
- 4 Gallery screws (x2)
- 5 Conical shade
- 6 Cylindrical Shade
- 7 Finial
- 8 Disc
- 9 20mm Rubber washer
- 10 Spacer
- 11 47mm washer (x2)
- 12 Electrical Junction Box
- 13 Wood Screws (x2)
- 14 RAWL Plugs (x2)

Tools Required - Screwdriver, cross-head - Small screwdriver, flat-head - Drill (if holes are required)

Installation Instructions

Refer to the diagrams on opposite page and read Safety and Installation instructions overleaf. Take care when handling ceramic products during installation.

1. Prepare the supply and luminaire cables: see further wiring details in Safety and Installation Instructions overleaf.
2. Affix the Wall Plate to the wall using appropriate fixings: See fixing details in Safety and Installation Instructions overleaf.
3. Make electrical connections, including all earth connections, with the supplied electrical junction box: see wiring details in Safety and Installation Instructions overleaf. Be sure to firmly close the electrical junction box.
4. Attach the Main Body onto the installed wall plate using the two brass gallery screws supplied.
5. With the bulb installed, place the first 47mm washer on top of the shoulders of the shade bracket.
 - Next, place the cylindrical shade on top of this washer.
 - Place the 2nd large washer on top of the shade hole, and then place the spacer on top of this, aligning the 3 legs with the legs of the shade bracket underneath (fig 1.)
 - Put the small 20mm washer over the threaded tube, onto the spacer.
 - Place the conical shade onto this, place the brass disc on top (logo up) and fix in place with the finial. DO NOT OVER TIGHTEN.

Installation Diagram

