

# Safety & Installation Instructions

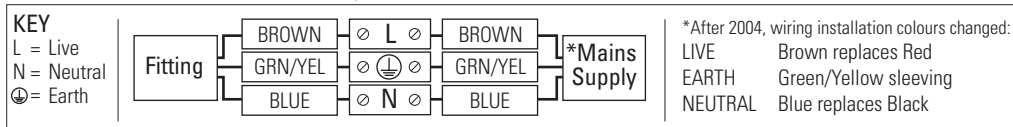
v1.0-04.21

# OXFORD DOUBLE CHANDELIER

## Instruction Manual

These instructions are provided for your safety in order to prevent the risk of Fire, Electric shock or Injury. It is vitally important that they are read in their entirety before installing your fitting. Please retain for future reference.

1. If you are in any doubt consult a qualified electrician as to the installation of the fitting. Install in accordance with current IEE wiring regulations. It is recommended that this fitting is installed by a qualified electrician.
2. Ensure that the electrical supply is OFF. Disconnect the electrical supply at the fuse-board.
3. If removing an existing fitting first, note all wiring connections: record which of the house wires is connected to the live, neutral and earth terminals.
4. Carefully identify where the supply cable is (and check there are no other cables in the area) to avoid damage to concealed wiring during installation.
5. Position the light where desired ensuring that there is suitable support adjacent to where you will connect to the house supply and mark position of fixing holes, before drilling appropriate holes as below.
6.
  - a. Brick or masonry: Drill holes into which the wall plugs tightly fit, then insert wall plugs.
  - b. Wood: No hole necessary (unless small pilot hole required), screws can be screwed directly into the timber.
  - c. Plaster/Cavity: Special cavity wall fittings are required, rather than provided fixings. These are widely available from good hardware or DIY store and should come with their own instructions that must be followed. It may be easier to relocate the fitting so that you screw directly into a timber joist or beam.
7. Once desired drop determined, adjust the flex length accordingly. Consult an electrician if in any doubt.
  - Use wire cutters to cut flex at desired length and then remove 10mm of the cotton braid and outer insulation (making sure no damage occurs to the interior cables). Apply electrical tape around the end of the cotton braid to prevent fraying.
  - Remove 5mm of insulation from the conductors, ready to be wired into a connector block.
8. Support the fitting so that no strain is applied to the wiring when making the electrical connections. If necessary get a colleague to help.
9. Electrical connection: this light fitting must be earthed. Make connections using the connector block, following the diagram below. A small flat-head screwdriver is required.



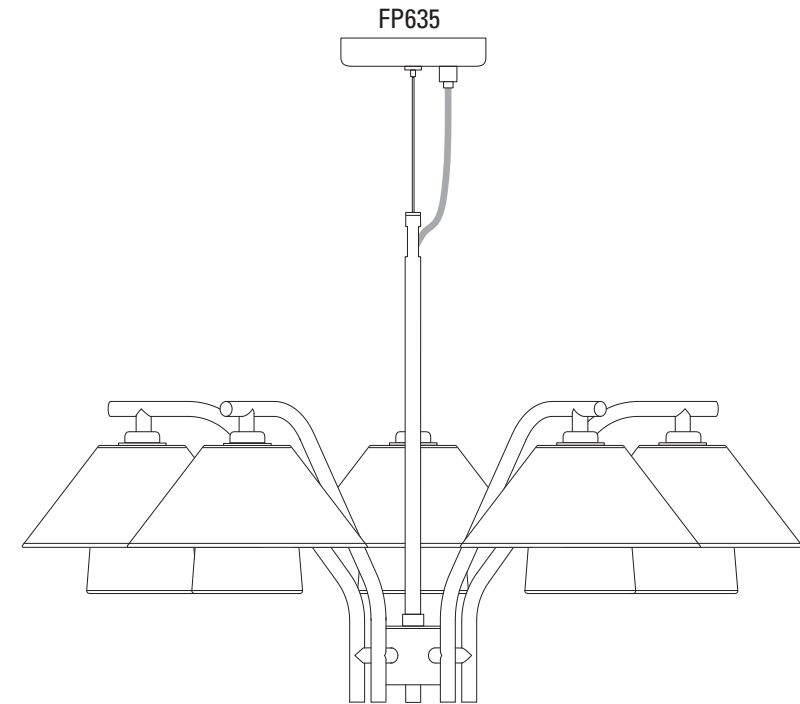
10. Double check all the connections are secure and that no loose strands of wire are left out of the connector.
11. Check that no wires are trapped behind or within the fitting and complete the installation, see hanging instructions inside.
12. Fit the correct type and wattage of lamp (or less). Be careful not to overtighten the lamp.
13. Switch on at the fuse-board. Your light fitting is now ready for use.

### Other Important Information

Switch off at mains before changing lamp(s). Never fit a lamp of greater wattage than recommended. Ensure children do not play with the light fitting. Dispose of old lamps carefully. Never leave a fitting without a lamp in position (or someone can accidentally touch the contacts). Adjust fitting only when power to the fitting is off and has been left to cool. If the external flexible cable or cord of this luminaire is damaged it shall exclusively be replaced by the manufacturer or his service agent, or a similar qualified person, in order to avoid a hazard. For use in a dry, indoor environment only. Ensure the fitting does not come into contact with any liquids.

### Cleaning and Maintenance

Metal finishes should only be cleaned with a soft, dry cloth. Do not use polishes or abrasives. Bone china can be cleaned by hand, using a soft damp cloth with a diluted mild detergent (nonabrasive) if necessary. Switch off power to the fitting before cleaning.



Established in 1990, Original BTC manufactures relaxed, familiar lighting for traditional and contemporary homes.

All products are hand-assembled in Oxford from high quality components, produced in the UK.

ORIGINALBTC.COM

+44 (0)1993 882 251

UNIT 21 / 22 AVENUE ONE, STATION LANE, WITNEY, OX28 4XZ, ENGLAND



## ORIGINAL BTC




BRITISH LIGHTING MANUFACTURER  
LONDON - NEW YORK - PARIS



# OXFORD DOUBLE CHANDELIER

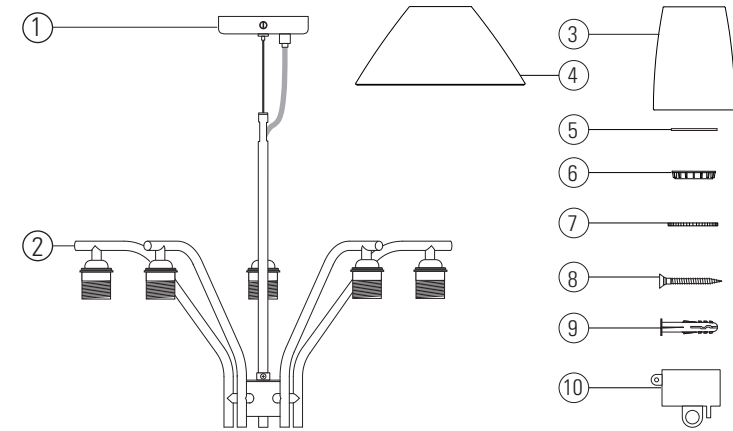
| 230V ac 50Hz | IP20

## FP635 OXFORD DOUBLE CHANDELIER

LAMP GUIDANCE			
BASE	SHAPE	TYPE*	WATTAGE**
<b>FP635</b>			
 E27	 GLS  BALL	INCANDESCENT ✓	5 x 60W MAX
		CFL ✓	5 x 24W
		ECO-HALOGEN ✓	5 x 70W
		LED ✓	5 x 18W

\* Warm white (2700k) low energy lamps recommended.  
 \*\* Wattage value provided as a guide to suitable lamps. Lower wattage than stated may be used.

### Contents



### Contents

- 1 Ceiling Rose
- 2 Luminaire Frame
- 3 5x cylindrical shade
- 4 5x conical shade
- 5 10x rubber washers
- 6 5x plastic shade ring
- 7 5x brass shade ring
- 8 2x fixing screw
- 9 2x RAWL plugs
- 10 Electrical junction box

### Tools Required

- Cable Cutters and strippers
- Small flat-head screwdriver
- Drill (if holes are required)

### Hanging Instructions

Refer to the diagrams on opposite page and read Safety and Installation instructions overleaf.

**Take care when handling ceramic products during installation.**

1. Determine drop length and position the ceiling rose on the luminaire cable and steel suspension wire. To reduce the drop length, push the steel suspension wire into the clamp nozzle (1a). To increase the drop length, depress the clamp nozzle and pull the steel wire (1b). Be sure to tighten the black grub screw onto the luminaire cable and clear plastic sleeving (1c). Cut any excess wire and cable as required.
2. Prepare the supply and luminaire cables: see further wiring details in Safety and Installation Instructions overleaf.
3. Attach the ceiling bracket to the ceiling using appropriate fixings: see fixing details in Safety and Installation Instructions overleaf.
4. Make electrical connections, including all earth connections, with the supplied electrical junction box: see wiring details in Safety and Installation Instructions overleaf. Be sure to firmly close the electrical junction box.
5. Attach the ceiling rose cover onto the installed ceiling bracket using the two brass gallery screws supplied. Be sure to support the weight of the fitting when securing the gallery screws. If necessary get a colleague to help.
6. Attach 5x sets of ceramic shades, using the gaskets and shade rings supplied. Be sure to follow the order as illustrated.

### Installation Diagram

