

Safety & Installation Instructions

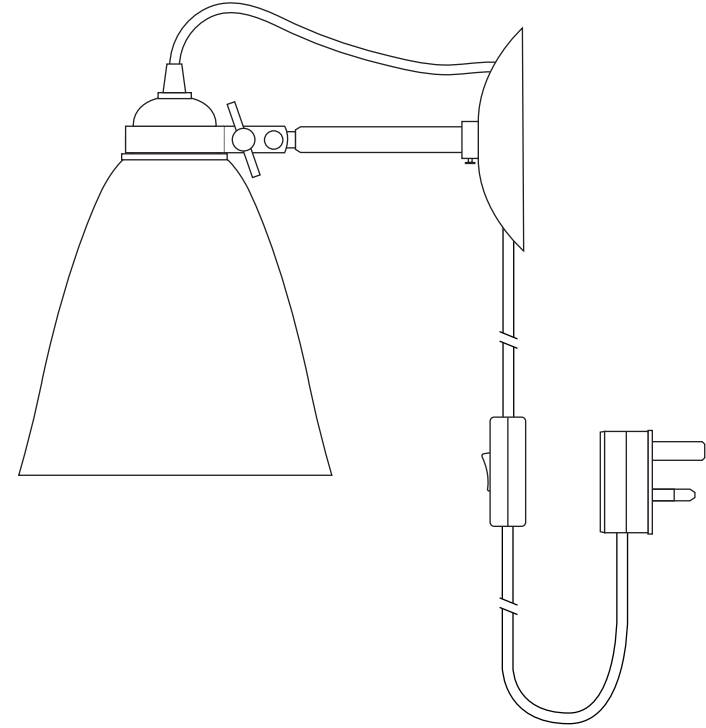
v2.0-03.20

These instructions are provided for your safety in order to prevent the risk of Fire, Electric shock or Injury. It is vitally important that they are read in their entirety before installing your fitting. Please retain for future reference.

1. If you are in any doubt consult a qualified electrician as to the installation of the fitting.
2. Ensure that the electrical supply is OFF. Disconnect the electrical supply at the fuse-board.
3. Identify any concealed wiring or pipes in the chosen installation location before beginning the installation to avoid damage.
4. Position the light where desired ensuring that there is suitable support adjacent to where you will connect to the house supply and mark position of fixing holes, before drilling appropriate holes as below.
5.
 - a. Brick or masonry: Drill holes into which the wall plugs tightly fit, then insert wall plugs.
 - b. Wood: No hole necessary (unless small pilot hole required), screws can be screwed directly into the timber.
 - c. Plaster/Cavity: Special cavity wall fittings are required, rather than provided fixings. These are widely available from good hardware or DIY store and should come with their own instructions that must be followed. It may be easier to relocate the fitting so that you screw directly into a timber joist or beam.
6. Follow the instructions inside to complete the installation
7. Fit the correct type and wattage of lamp (or less). Be careful not to overtighten the lamp.
8. Switch on at the fuse-board. Your light fitting is now ready for use.

Hector Medium Wall Light PSC

Instruction Manual



Other Important Information

Switch off at mains before changing lamp(s). Never fit a lamp of greater wattage than recommended. Ensure children do not play with the light fitting. Dispose of old lamps carefully. Never leave a fitting without a lamp in position (or someone can accidentally touch the contacts). Adjust fitting only when power to the fitting is off and has been left to cool. If the external flexible cable or cord of this luminaire is damaged, it shall be exclusively replaced by the manufacturer or his service agent or a similar qualified person in order to avoid a hazard. For use in a dry, indoor environment only. Ensure the fitting does not come into contact with any liquids.

Cleaning and Maintenance

Metal finishes should only be cleaned with a soft, dry cloth. Do not use polishes or abrasives. Bone china can be cleaned by hand, using a soft damp cloth with a diluted mild detergent (nonabrasive) if necessary. Switch off power to the fitting before cleaning. Spare parts are available for this product, please contact us on the details below.

Established in 1990, Original BTC manufactures relaxed, familiar lighting for traditional and contemporary homes.

All products are hand-assembled in Oxford from high quality components, produced in the UK.

ORIGINALBTC.COM

+44 (0)1993 882 251

UNIT 21 / 22 AVENUE ONE, STATION LANE, WITNEY, OX28 4XZ, ENGLAND



ORIGINAL BTC

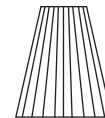
BRITISH LIGHTING MANUFACTURERS
LONDON - NEW YORK - PARIS



Medium Dome /
Hector 30
FW343



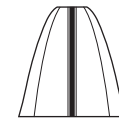
Medium Pleat
FW508



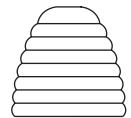
Circle Line
FW343CL



Linear
FW521






Bibendum
FW504



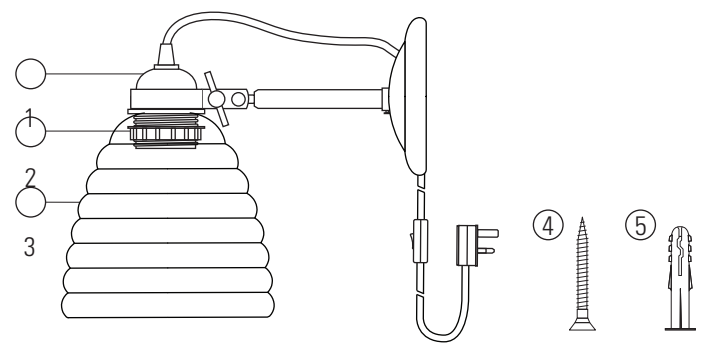
Hector Medium Wall Light PSC

| 230V ac 50Hz | IP20 |

- | | | | |
|---------|---------------------|-------|-----------------|
| FW343 | Hector Medium Dome | FW343 | Linear |
| FW343 | Hector 30 | FW504 | Hector Bibendum |
| FW508 | Hector Medium Pleat | | |
| FW343CL | Circle Line | | |

LAMP GUIDANCE Hector Medium			
BASE	SHAPE	TYPE*	WATTAGE**
 E27	  GLS BALL	INCANDESCENT ✓	40W MAX
		CFL ✓	11W
		ECO-HALOGEN ✗	n/a
		LED ✓	7W

* Warm white (2700k) low energy lamps recommended.
 ** Wattage value provided as a guide to suitable lamps. Lower wattage than stated may be used.



- Contents**
- 1 - Backplate/stem/lampholder
 - 2 - Shade ring
 - 3 - Shade
 - 4 - 2 x fixing screws
 - 5 - 2 x rawl plugs
- Required for Installation**
- Screwdriver, cross-head
 - Small screwdriver, flat-head
 - Drill (if holes are required)

PLEASE READ THE INSTRUCTIONS ON THE REVERSE BEFORE YOU BEGIN INSTALLING YOUR LIGHT

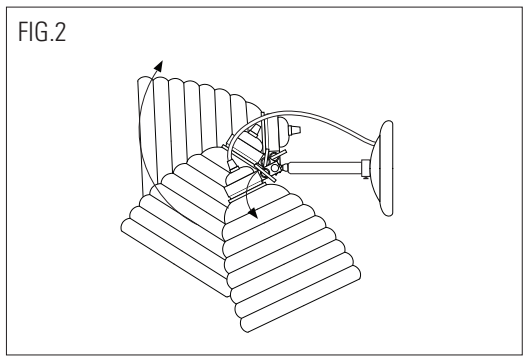
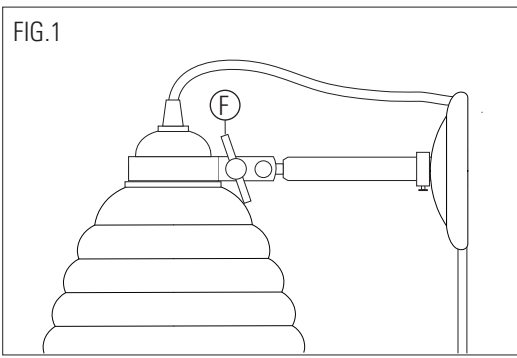
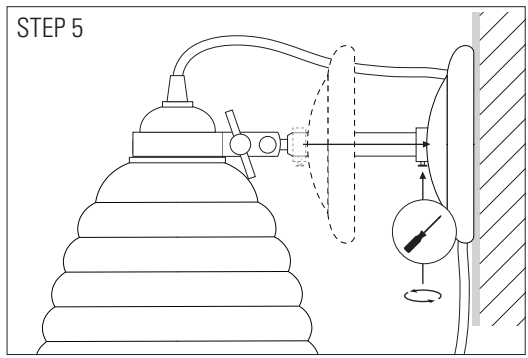
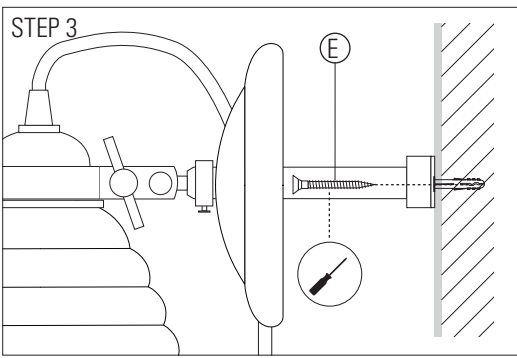
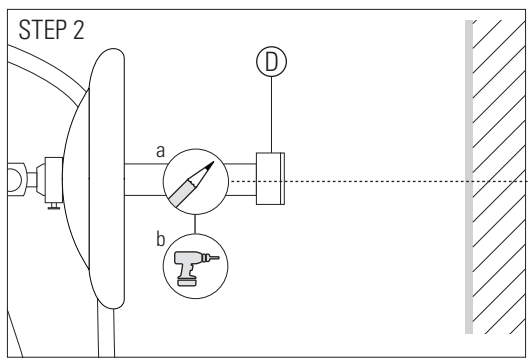
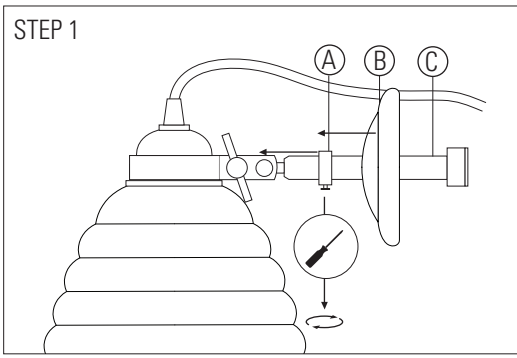
Installation and Assembly Instructions

This product is made from Fine Bone China; take care when handling this product during installation. Excessive force can cause damages or breakages.

Refer to diagrams on opposite page.

- STEP 1**
Release the grub screw on the 'slip ring' (A), then slide with backplate (B) along stem (C).
- STEP 2**
Mark fixing holes through bracket (D) before drilling holes, see point 5 and 6 on reverse.
- STEP 3**
Screw bracket to wall.
- STEP 4**
Slide china base plate over bracket so it meets the wall, then secure by tightening screw on slip ring.

Installation Diagram



- Key**
- A Slip Ring
 - B Backplate
 - C Stem
 - D Fixing Bracket
 - E Fixing screws
 - F Clamp handle

- Adjusting Shade**
- See Fig.1. With one hand supporting the shade, gently loosen the clamp handle (F). One quarter-turn, in an anti-clockwise direction should be sufficient.
 - The shade can then be moved into desired position, ensuring the clamp remains attached to the stem, but without applying excessive force to the washers on the inside of the clamp. Ensure the shade is still supported whilst adjusting position. See Fig.2.
 - Secure in place by gently tightening clamp handle, **taking care NOT to overtighten**, as this can damage the clamp.
 - Do not adjust the position of the shade without loosening the clamp first, as this will damage the washers.