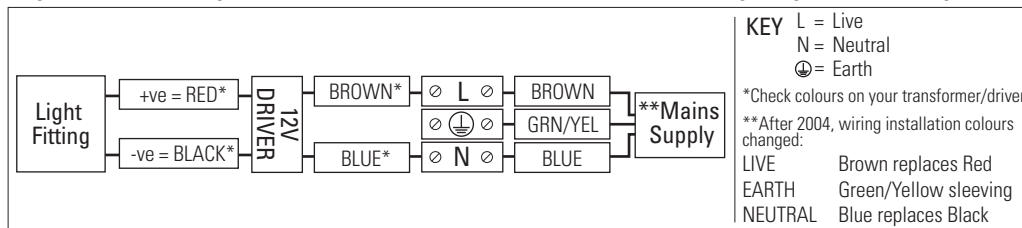


Safety & Installation Instructions

v1.0-04.21

These instructions are provided for your safety in order to prevent the risk of Fire, Electric shock or Injury. It is vitally important that they are read in their entirety before installing your fitting. Please retain for future reference.

1. If you are in any doubt consult a qualified electrician as to the installation of the fitting. Install in accordance with current IEE wiring regulations. It is recommended that this fitting is installed by a qualified electrician.
2. Ensure that the electrical supply is OFF. Disconnect the electrical supply at the fuse-board.
3. If removing an existing fitting first, note all wiring connections: record which of the house wires is connected to the live, neutral and earth terminals.
4. Carefully identify where the supply cable is (and check there are no other cables in the area) to avoid damage to concealed wiring during installation.
5. Position the light where desired ensuring that there is suitable support adjacent to where you will connect to the house supply and mark position of fixing holes, before drilling appropriate holes as below.
6. a. Brick or masonry: Drill holes into which the wall plugs tightly fit, then insert wall plugs.
b. Wood: No hole necessary (unless small pilot hole required), screws can be screwed directly into the timber.
c. Plaster/Cavity: Special cavity wall fittings are required. These are widely available from good hardware or DIY store and should come with their own instructions that must be followed. It may be easier to relocate the fitting so that you screw directly into a timber joist or beam.
7. Support the fitting so that no strain is applied to the wiring when making the electrical connections. If necessary get a colleague to help.
8. Electrical connection: This fitting is low voltage, requiring no Earth connection. Make connections following the diagram below. The fitting **MUST** be connected to 12V transformer/driver before installing fitting on a mains voltage circuit.



9. To maintain the IP rating of this fitting, you must ensure that the electrical connection has suitable protection from water ingress, housing the connection in an IP rated junction box or sealing the backplate with silicone.
10. Ensure that all electrical connections are tight, with no loose strands of wire left out of the connectors, no wires are trapped behind or within the fitting and complete the installation, screwing the fitting to the mounting surface, referring to the installation diagram inside.
11. Fit the correct type and wattage of lamp (or less). Be careful not to overtighten the lamp.
12. Switch on at the fuse-board. Your light fitting is now ready for use.

Other Important Information

The LED board is not replaceable. It must not be removed or tampered with. If it is damaged it must be returned to the manufacturer or his service agent. If the external flexible cable or cord of this luminaire is damaged it shall exclusively be replaced by the manufacturer or his service agent, or a similar qualified person, in order to avoid a hazard. Ensure children do not play with the light fitting.

Cleaning and Maintenance

Metal finishes should only be cleaned with a soft, dry cloth. Do not use polishes or abrasives. Switch off power to the fitting before cleaning.

Established in 1990, Original BTC manufactures relaxed, familiar lighting for traditional and contemporary homes. All products are hand-assembled in Oxford from high quality components, produced in the UK.

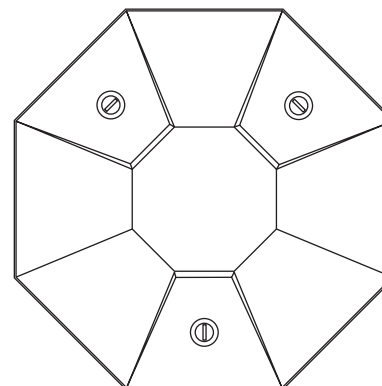
ORIGINALBTC.COM
+44 (0)1993 882 251
UNIT 21 / 22 AVENUE ONE, STATION LANE, WITNEY, OX28 4XZ, ENGLAND



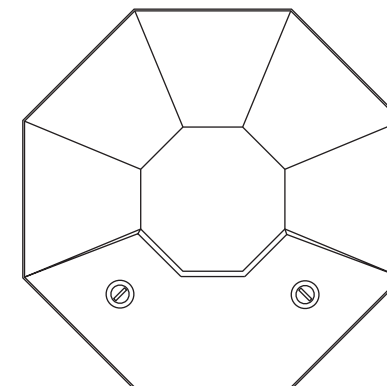
Octo Wall Light

Instruction Manual

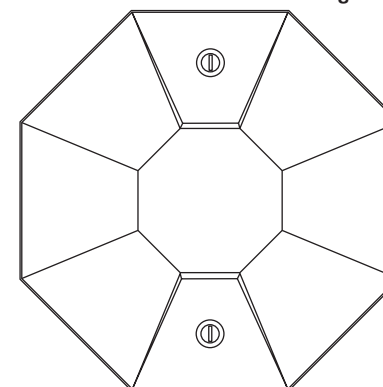
DP7570 Octo 3 Wall Light



DP7571 Octo 1 Wall Light



DP7572 Octo 2 Wall Light



ORIGINAL BTC
BRITISH LIGHTING MANUFACTURERS
LONDON - PARIS



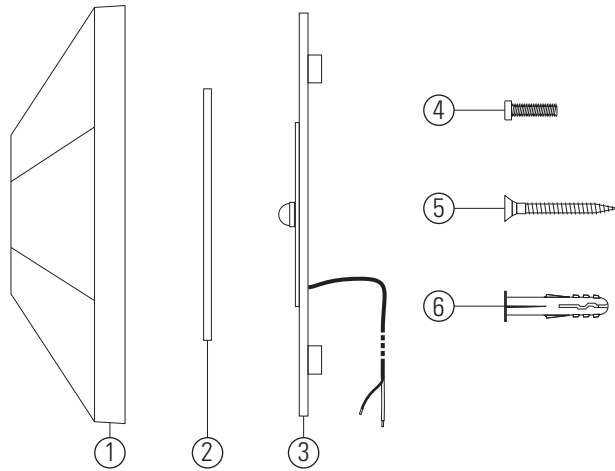
Octo Wall Light

| 12V DC | IP55 |

DP7570 Octo 3 Wall Light
 DP7571 Octo 1 Wall Light
 DP7572 Octo 2 Wall Light

LAMP GUIDANCE		
MODEL	TYPE	WATTAGE
DP7570 / DP7571 / DP7572	LED	3W

*Integral LED light source. DO NOT ATTEMPT TO REPLACE LAMP. In case of lamp failure contact original point of purchase.



Contents

- 1 - Main body, incl Lens
- 2 - Gasket
- 3 - Wall plate, incl 12V LED Board
- 4 - Brass Fixing Screws (x3)
- 5 - Mounting Screws (x2)
- 6 - RAWL Plugs (x2)

Required for Installation

- Screwdriver, flat-head
- Small screwdriver, flat-head
- Drill (if holes are required)
- Transformer/Driver

Hanging Instructions

Refer to the diagrams on opposite page and read Safety and Installation instructions overleaf.

Be sure never to touch the LED board or any of its components.

1. Determine position of the luminaire and prepare the power supply. Always use a 12V DC driver (not included). For further details refer to the safety and Installation instructions overleaf.

2. Connect the Red (positive) and Black (negative) cables from the back of the wall plate to the 12V DC Driver. Electrical connections must be made using IP55 connectors, or the ingress into the wall must be sealed.

3. Attach the wall plate using two appropriate mounting screws.

NB: 65mm hole spacing for the mounting screws.

4. Secure the main body onto the aligning screw holes on the wall plate.

NB: The main body to wall plate fixing hole positions on product variant differ.

Octo 3 uses three brass fixing screw.

Octo 1 and Octo 2 use two brass fixing screws.

Ensure the screws are fully tightened, to ensure a complete IP55 seal.

Installation Diagram

