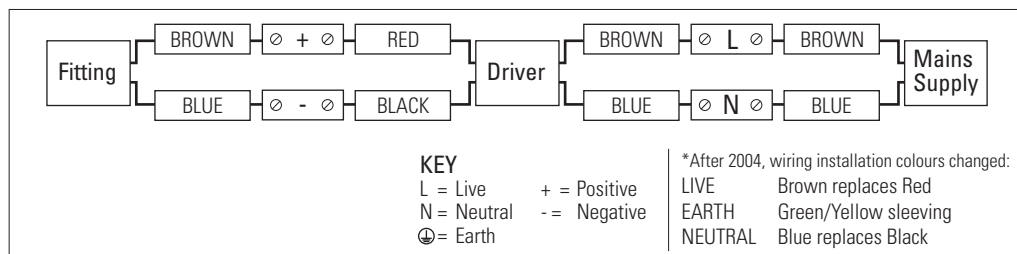


These instructions are provided for your safety in order to prevent the risk of Fire, Electric shock or Injury. It is vitally important that they are read in their entirety before installing your fitting. Please retain for future reference.

1. If you are in any doubt consult a qualified electrician as to the installation of the fitting. Install in accordance with current IEE wiring regulations. It is recommended that this fitting is installed by a qualified electrician.
2. Ensure that the electrical supply is OFF. Disconnect the electrical supply at the fuse-board.
3. If removing an existing fitting first, note all wiring connections: record which of the house wires is connected to the live, neutral and earth terminals.
4. Carefully identify where the supply cable is (and check there are no other cables in the area) to avoid damage to concealed wiring during installation.
5. Position the light where desired ensuring that there is suitable support adjacent to where you will connect to the house supply and mark position of fixing holes, before drilling appropriate holes as below.
 - a. Brick or masonry: Drill holes into which the wall plugs tightly fit, then insert wall plugs.
 - b. Wood: No hole necessary (unless small pilot hole required), screws can be screwed directly into the timber.
 - c. Plaster/Cavity: Special cavity wall fittings are required, rather than provided fixings. These are widely available from good hardware or DIY store and should come with their own instructions that must be followed. It may be easier to relocate the fitting so that you screw directly into a timber joist or beam.
7. Support the fitting so that no strain is applied to the wiring when making the electrical connections.
8. Electrical connection: this light fitting is low voltage - no earth connection is necessary. Make connections following the diagram below. Ensure the light is connected to the mains supply through the 12V driver. See installation diagram for details:



9. Double check all the connections are secure and that no loose strands of wire are left out of the connectors.
10. Check that no wires are trapped behind or within the fitting & complete the installation, referring to the Installation diagram inside.
11. Switch on at the fuse-board. Your light fitting is now ready for use.

Other Important Information

Switch off at mains before changing lamp(s). Never fit a lamp of greater wattage than recommended. Ensure children do not play with the light fitting. Dispose of old lamps carefully. Never leave a fitting without a lamp in position (or someone can accidentally touch the contacts). Adjust fitting only when power to the fitting is off and has been left to cool. If the electrical flex or electrical components become damaged at any point, power to the fitting should be disconnected immediately and not operated until the damaged parts are fixed/replaced. For use in dry, indoor environment only. Ensure the fitting does not come into contact with any liquids.

Cleaning and Maintenance

Metal finishes should only be cleaned with a soft, dry cloth. Do not use polishes or abrasives. Glass can be cleaned by hand, using a soft damp cloth with a diluted mild glass cleaner if necessary. Switch off power to the fitting before cleaning. Spare parts are available for this product, please contact us on the details below.

Established in 1990, Original BTC manufactures relaxed, familiar lighting for traditional and contemporary homes.

All products are hand-assembled in Oxford from high quality components, produced in the UK.

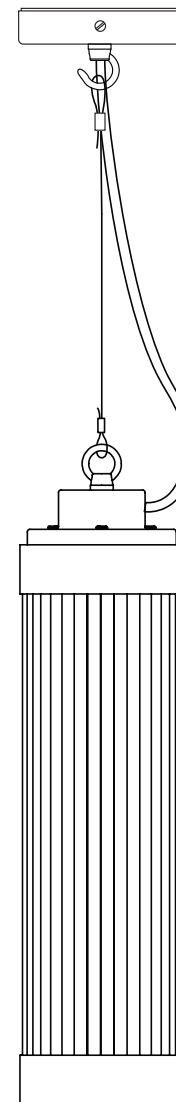
ORIGINALBTC.COM

+44 (0)1993 882 251

UNIT 21 / 22 AVENUE ONE, STATION LANE, WITNEY, OX28 4XZ, ENGLAND



Instruction Manual



ORIGINAL BTC

BRITISH LIGHTING MANUFACTURERS

LONDON • NEW YORK • PARIS

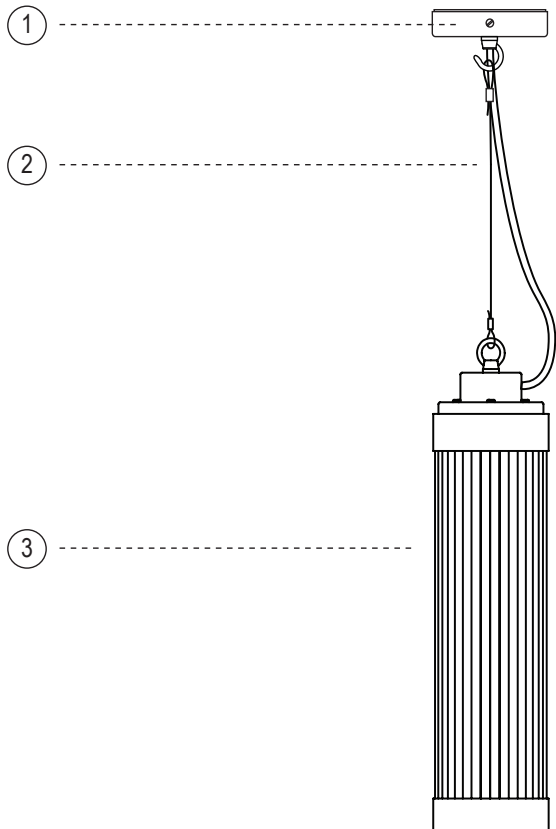


Pillar Pendant 7213

| 12V DC 50Hz | IP20 |

With roots dating back to the shipyards of nineteenth century London, Davey Lighting combines industrial design, traditional craftsmanship and the finest raw materials. Authentic and unique, lights are manufactured in England with the same attention to detail required for their original industrial purpose. Simplicity of design and choice of finish, including weathered brass and copper, polished aluminium and galvanised cast iron, make Davey lights equally suited to traditional or contemporary schemes.

| LAMP GUIDANCE | | |
|--|------|---------|
| MODEL | TYPE | WATTAGE |
| 7213 | LED | 10W |
| Integral LED light source. DO NOT ATTEMPT TO REPLACE LAMP. In case of lamp failure contact original point of purchase. | | |

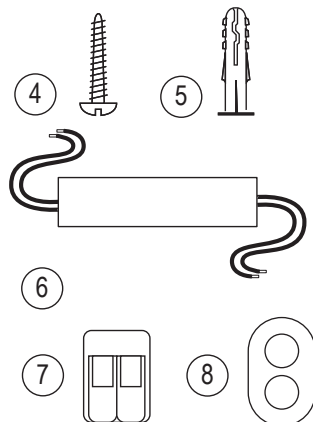


Contents

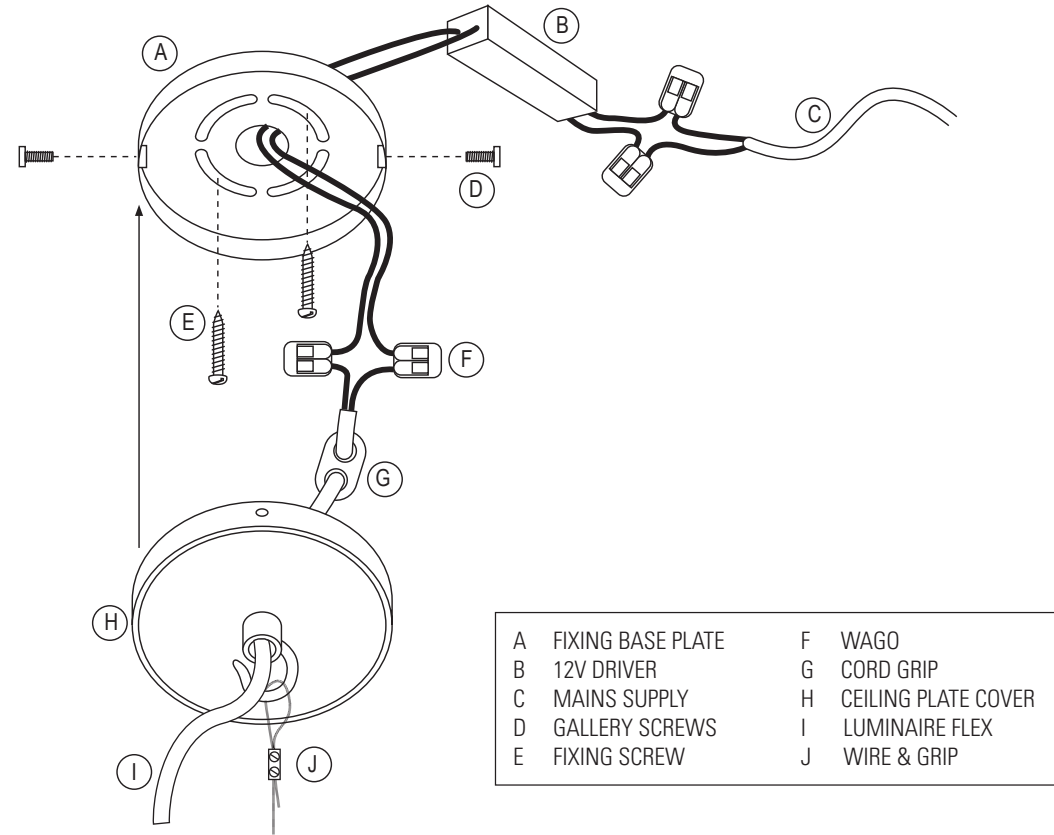
- 1 - Ceiling hook
- 2 - Suspension cable
- 3 - Pendant
- 4 - 2 x fixing screws
- 5 - 2 x rawl plugs
- 6 - 12V LED Driver
- 7 - 4 x WAGO Connector
- 8 - Cord Grip

Required for Installation

- Screwdriver, flat-head
- Small screwdriver, flat-head
- Drill (if holes are required)



Installation Diagram



| | | | |
|---|-------------------|---|---------------------|
| A | FIXING BASE PLATE | F | WAGO |
| B | 12V DRIVER | G | CORD GRIP |
| C | MAINS SUPPLY | H | CEILING PLATE COVER |
| D | GALLERY SCREWS | I | LUMINAIRE FLEX |
| E | FIXING SCREW | J | WIRE & GRIP |

PLEASE READ THE INSTRUCTIONS ON THE REVERSE BEFORE YOU BEGIN INSTALLING YOUR LIGHT

Hanging Instructions

The first step is to wire the light to the mains supply.

- Work out the drop of the light, ensuring there is slack in the cable. Shorten the cable using wire cutters, before removing 30mm of outer insulation and 10mm of inner insulation. Cut the steel wire using wire cutters. The cable **MUST** be longer than the wire.
- Screw the fixing base plate to the ceiling (ensure main supply cable has been inserted through the central hole first).
- Insert the cable from the pendant through the hook of the fixing plate cover and then through the cord grip. Wire to the mains as described overleaf.

With the lamp wired, the fixing plate cover can then be attached to the fixing base plate using the gallery screws; ensure the pendant is supported at this point so as not to pull on connections.

The pendant can now be hung from the ceiling hook using the suspension wire.