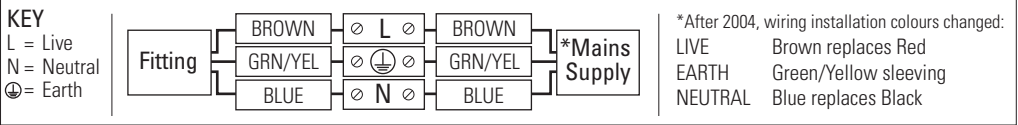


Safety & Installation Instructions

v1.1 - 05.19

These instructions are provided for your safety in order to prevent the risk of Fire, Electric shock or Injury. It is vitally important that they are read in their entirety before installing your fitting. Please retain for future reference.

1. If you are in any doubt consult a qualified electrician as to the installation of the fitting. Install in accordance with current IEE wiring regulations. It is recommended that this fitting is installed by a qualified electrician.
2. Ensure that the electrical supply is OFF. Disconnect the electrical supply at the fuse-board.
3. If removing an existing fitting first, note all wiring connections: record which of the house wires is connected to the live, neutral and earth terminals.
4. Carefully identify where the supply cable is (and check there are no other cables in the area) to avoid damage to concealed wiring during installation.
5. Position the light where desired ensuring that there is suitable support adjacent to where you will connect to the house supply and mark position of fixing holes, before drilling appropriate holes as below.
6.
 - a. Brick or masonry: Drill holes into which the wall plugs tightly fit, then insert wall plugs.
 - b. Wood: No hole necessary (unless small pilot hole required), screws can be screwed directly into the timber.
 - c. Plaster/Cavity: Special cavity wall fittings are required, rather than provided fixings. These are widely available from good hardware or DIY store and should come with their own instructions that must be followed. It may be easier to relocate the fitting so that you screw directly into a timber joist or beam.
7. Once desired drop determined, adjust the flex length accordingly. Consult an electrician if in any doubt.
 - Use wire cutters to cut flex at desired length and then remove 30mm of the outer sleeve & braid/plastic sheath (making sure no damage occurs to the interior cables). Push plastic sheath over ends of metal braid.
 - Remove 10mm of insulation from the conductors, ready to be wired into a connector block.
8. Support the fitting so that no strain is applied to the wiring when making the electrical connections. If necessary get a colleague to help.
9. Electrical connection: this light fitting must be earthed. Make connections using the connector block, following the diagram below. A small flat-head screwdriver is required.



10. Double check all the connections are secure and that no loose strands of wire are left out of the connector. Use a good quality electrical insulation tape to cover the connector block and at least 25mm of the cables going in to either end of the connector.
11. Check that no wires are trapped behind or within the fitting and complete the installation, see hanging instructions inside.
12. Fit the correct type and wattage of lamp (or less). Be careful not to overtighten the lamp.
13. Switch on at the fuse-board. Your light fitting is now ready for use.

Other Important Information

Switch off at mains before changing lamp(s). Never fit a lamp of greater wattage than recommended. Ensure children do not play with the light fitting. Dispose of old lamps carefully. Never leave a fitting without a lamp in position (or someone can accidentally touch the contacts). Adjust fitting only when power to the fitting is off and has been left to cool. If the electrical flex or electrical components become damaged at any point, power to the fitting should be disconnected immediately and not operated until the damaged parts are fixed/replaced. For use in a dry, indoor environment only. Ensure the fitting does not come into contact with any liquids.

Cleaning and Maintenance

Bone china can be cleaned by hand, using a soft damp cloth with a diluted mild detergent (nonabrasive) if necessary. Switch off power to the fitting before cleaning. Metal can be cleaned by hand using a soft dry cloth.

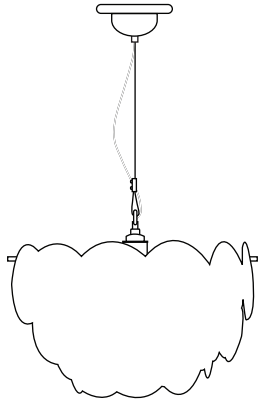
Established in 1990, Original BTC manufactures relaxed, familiar lighting for traditional and contemporary homes. All products are hand-assembled in Oxford from high quality components, produced in the UK.

ORIGINALBTC.COM
 +44 (0)1993 882 251
 UNIT 21 / 22 AVENUE ONE, STATION LANE, WITNEY, OX28 4XZ, ENGLAND

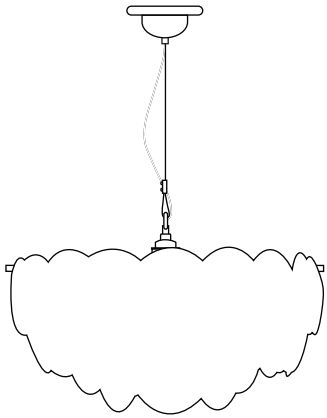


Pembridge Pendant Light

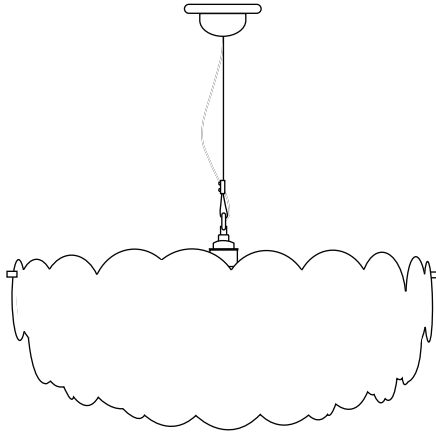
Instruction Manual



Pembridge Size 1
FP440N



Pembridge Size 2
FP441N



Pembridge Size 3
FP442N




ORIGINAL BTC
 BRITISH LIGHTING MANUFACTURERS
 LONDON • NEW YORK • PARIS



Pembridge Pendant Light

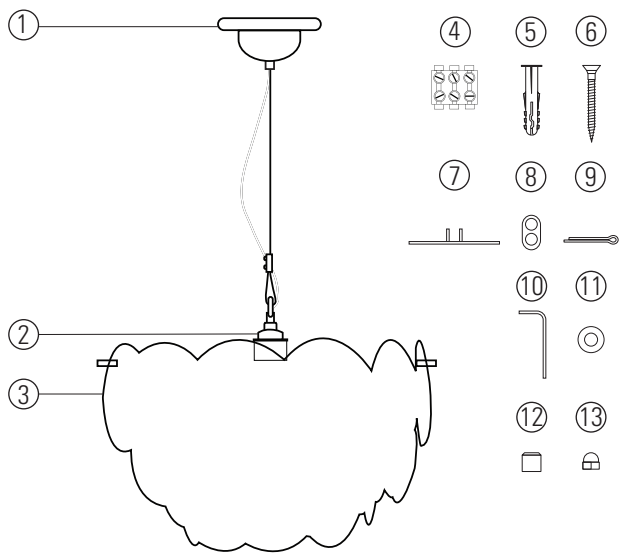
| 230V ac 50Hz | IP20 |

- FP440N Pembridge Size 1 Pendant Light, Natural
- FP441N Pembridge Size 2 Pendant Light, Natural
- FP442N Pembridge Size 3 Pendant Light, Natural

LAMP GUIDANCE			
BASE	SHAPE	TYPE*	WATTAGE**
 E27	 	INCANDESCENT ✓	60W MAX
		CFL ✓	15W
		ECO-HALOGEN ✓	42W
		LED ✓	12W

* Warm white (2700k) low energy lamps recommended.
 ** Wattage value provided as a guide to suitable lamps. Lower wattage than stated may be used.

Assembly



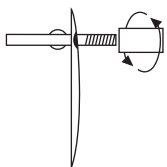
Contents

- Ceiling Rose
- Shade rings
- Shade to assemble
- Connector block
- 4 x Rawl plugs
- 4 x Fixing screws
- 1 x Hanging bracket
- 1 x 3-hole cord grip
- 1 x Cotter pin
- 1 x Allen key
- 2 x Washer
- Finial (1=17, 2=23, 3=26)
- Dome nut (1=33, 2=38, 3=56)

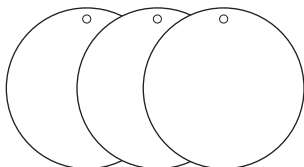
Tools Required

- Cross head screwdriver
- Small flat-head screwdriver
- Drill (if holes are required)

Shade Assembling



Insert disc over frame thread and gently screw on endcap.



Arrange the discs by overlapping them.



Use the cylindrical finials on the top row and nuts below

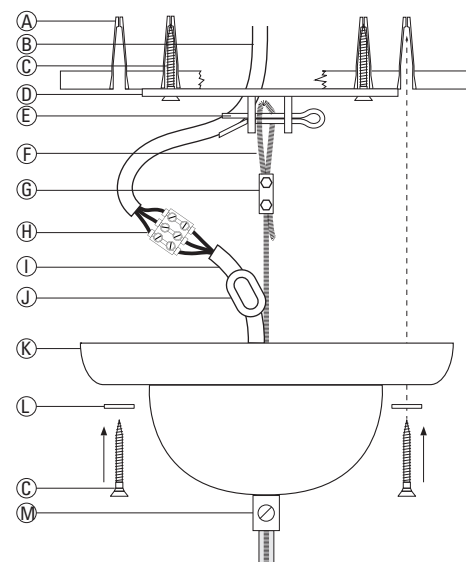
Hanging Instructions

Refer to the diagram below.

Take care when handling ceramic products during installation.

- Assemble the shade as depicted opposite, attaching the ceramic discs to the threaded section of the frame. Use the dome nuts on the lower tier(s) and the cylindrical finials on the top tier(s). Arrange the discs to overlap as shown. It is advisable to start with the lowest tier and work your way to the top.
- Locate a suitable place to fix the light and create the holes for both the hanging bracket and the ceiling rose, following points 5 & 6 overleaf. Screw the hanging bracket in position.
- Determine the drop of the pendant and shorten the cable accordingly. The cable can be cut with wire cutters, before removing 30mm of outer insulation and 10mm of inner insulation. The steel wire can be cut with wire cutters. The cable MUST be longer than the wire; the light is designed for the wire to support the weight of the fitting.
- Feed the cable through the ceiling rose and back through the 2-hole cord grip.
- Make the electrical connections, following points 9 & 10 overleaf.
- Insert the cotter pin through the hanging bracket. Twist back the longer arm with pliers to keep it in position.
- Attach the steel wire to the cotter pin. Ensure the grub screws on the wire grip are tight.
- Push the ceiling rose against the ceiling. Tighten the grub screw on the grub screw collar cord grip. Do not overtighten.
- Attach the ceiling rose to the ceiling using the two remaining screws. Ensure the plastic washers are in place between the screws and the ceiling rose and tighten the screws gently using a screwdriver - DO NOT USE POWER TOOLS. Overtightening the screws or not using the plastic washers can cause the ceiling rose to shatter.
- Attach the shade to the lampholder using the second chrome shade ring. If necessary ask a colleague for help as the shade can be quite heavy.
- Your light is now ready for use.

Installation Diagram



- A Rawl plugs
- B Main supply
- C Fixing screws
- D Hanging bracket
- E Cotter pin
- F Steel wire
- G Wire grip
- H Connector block
- I Luminaire flex
- J 2-Hole cord grip
- K Ceiling rose
- L Washer
- M Grub screw cord grip

PLEASE READ THE INSTRUCTIONS ON THE REVERSE BEFORE YOU BEGIN INSTALLING YOUR LIGHT