

Safety & Installation Instructions

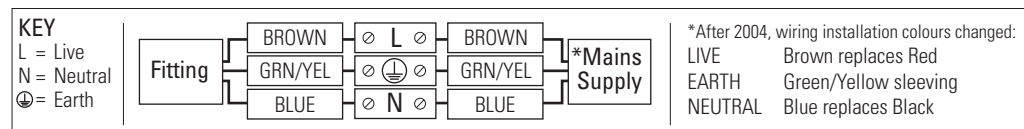
v1.1-04.19

DP7200 School Pendant Light

Instruction Manual

These instructions are provided for your safety in order to prevent the risk of Fire, Electric shock or Injury. It is vitally important that they are read in their entirety before installing your fitting. Please retain for future reference.

1. If you are in any doubt consult a qualified electrician as to the installation of the fitting. Install in accordance with current IEE wiring regulations. It is recommended that this fitting is installed by a qualified electrician.
2. Ensure that the electrical supply is OFF. Disconnect the electrical supply at the fuse-board.
3. If removing an existing fitting first, note all wiring connections: record which of the house wires is connected to the live, neutral and earth terminals.
4. Carefully identify where the supply cable is (and check there are no other cables in the area) to avoid damage to concealed wiring during installation.
5. Position the light where desired ensuring that there is suitable support adjacent to where you will connect to the house supply and mark position of fixing holes, before drilling appropriate holes as below.
 - a. Brick or masonry: Drill holes into which the wall plugs tightly fit, then insert wall plugs.
 - b. Wood: No hole necessary (unless small pilot hole required), screws can be screwed directly into the timber.
 - c. Plaster/Cavity: Special cavity wall fittings are required, rather than provided fixings. These are widely available from good hardware or DIY store and should come with their own instructions that must be followed. It may be easier to relocate the fitting so that you screw directly into a timber joist or beam.
7. Support the fitting so that no strain is applied to the wiring when making the electrical connections. If necessary get a colleague to help.
8. Electrical connection: this light fitting must be earthed. Make connections following the diagram below. A small flat-head screwdriver is required.



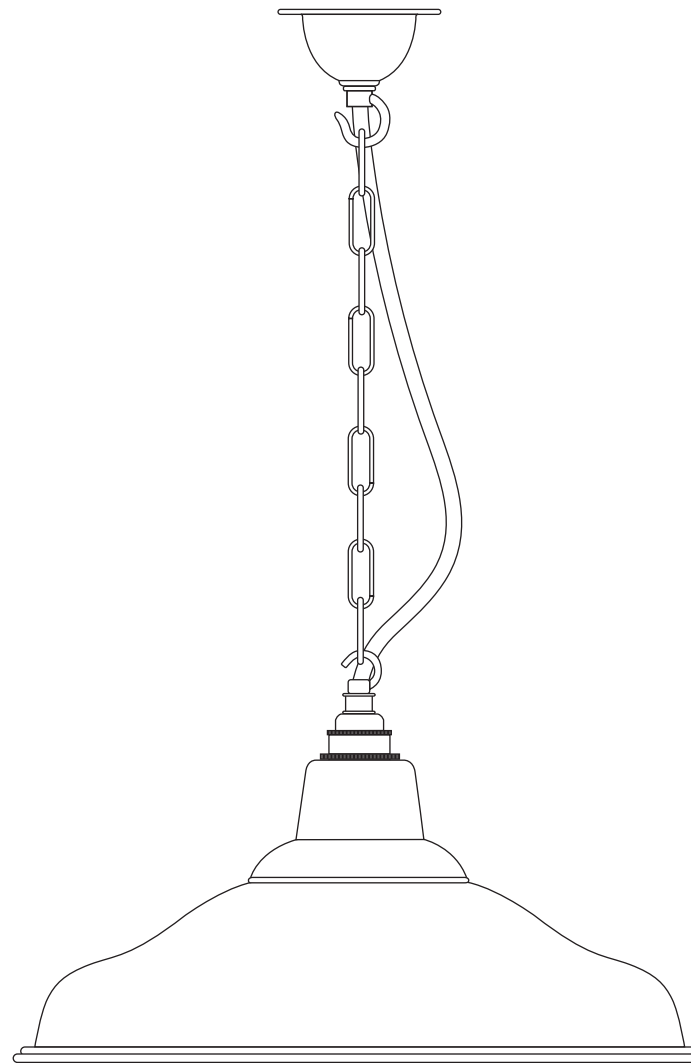
9. Double check all the connections are secure and that no loose strands of wire are left out of the connector.
10. Check that no wires are trapped behind or within the fitting and complete the installation, referring to the Installation diagram inside.
11. Fit the correct type and wattage of lamp (or less). Be careful not to overtighten the lamp.
12. Switch on at the fuse-board. Your light fitting is now ready for use.

Other Important Information

Switch off at mains before changing lamp(s). Never fit a lamp of greater wattage than recommended. Ensure children do not play with the light fitting. Dispose of old lamps carefully. Never leave a fitting without a lamp in position (or someone can accidentally touch the contacts). Adjust fitting only when power to the fitting is off and has been left to cool. If the electrical flex or electrical components become damaged at any point, power to the fitting should be disconnected immediately and not operated until the damaged parts are fixed/replaced. For use in a dry, indoor environment only. Ensure the fitting does not come into contact with any liquids.

Cleaning and Maintenance

Metal finishes should only be cleaned with a soft, dry cloth. Do not use polishes or abrasives. Switch off power to the fitting before cleaning.



Established in 1990, Original BTC manufactures relaxed, familiar lighting for traditional and contemporary homes.

All products are hand-assembled in Oxford from high quality components, produced in the UK.

ORIGINALBTC.COM

+44 (0)1993 882 251

UNIT 21 / 22 AVENUE ONE, STATION LANE, WITNEY, OX28 4XZ, ENGLAND



ORIGINAL BTC

BRITISH LIGHTING MANUFACTURERS
LONDON - NEW YORK - PARIS






DP7200 School Pendant Light

| 230V ac 50Hz | IP20

DP7200/PG Painted Putty Grey With White Interior
 DP7200/CO/PO/WH Polished Copper
 DP7200/CO/WE/PO Weathered Copper With Polished Copper Interior

Davey Lighting's iconic spun school lights are made in either aluminium or copper, with different coloured interiors and painted exteriors.

LAMP GUIDANCE			
BASE	SHAPE	TYPE*	WATTAGE**
 E27	 GLS	 BALL	INCANDESCENT ✓
			CFL ✓
			ECO-HALOGEN ✗
			LED ✓
			100W MAX
			20W
			n/a
			18W

* Warm white (2700k) low energy lamps recommended.
 ** Wattage value provided as a guide to suitable lamps. Lower wattage than stated may be used.

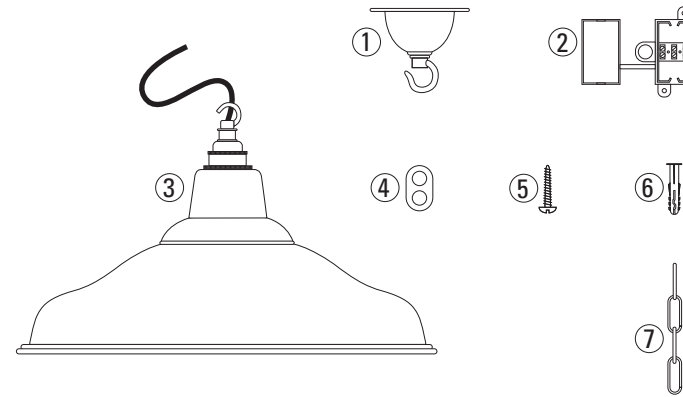
PLEASE READ THE INSTRUCTIONS ON THE REVERSE BEFORE YOU BEGIN INSTALLING YOUR LIGHT

Hanging Instructions

Refer to the diagram on opposite page.

- Determine the desired drop of the light.
- To shorten the cable use wire cutters before removing 30mm of outer jacket and 10mm of inner insulation. Take care not to damage the inner wiring.
- Use bolt cutters to shorten the chain. The chain must be shorter than the cable.
- Feed the cable from the light through the ceiling rose, before feeding it through the 2-hole cord grip.
- Attach the chain to the hook on top of the shade and at the bottom of the ceiling rose.
- Follow steps 2 to 12 overleaf.
- Your light is now ready to use.

Contents



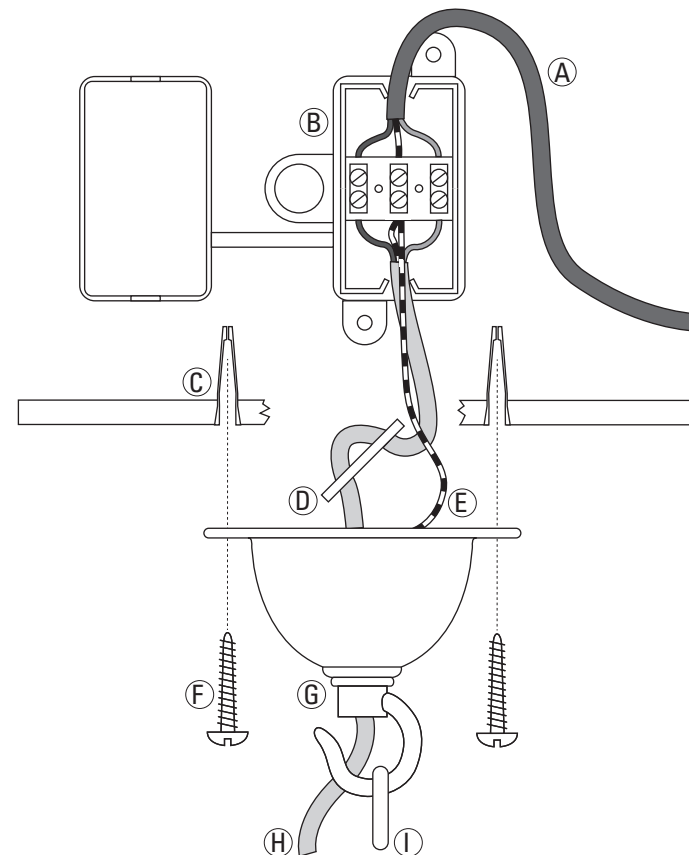
Contents

- 1 Ceiling Rose
- 2 Connector block
- 3 Shade
- 4 2 Hole cord grip
- 5 2 x Fixing screws
- 6 2 x Rawl plugs
- 7 Chain

Tools Required

- Cross head screwdriver
- Small flat-head screwdriver
- Drill (if holes are required)

Installation Diagram



- A Main supply
- B Connector
- C Rawl plug
- D 2-Hole cord grip
- E Earth wire
- F Fixing screw
- G Ceiling rose
- H Luminaire flex
- I Chain