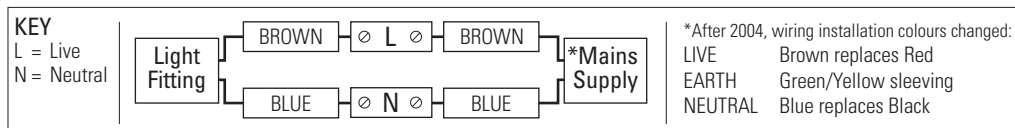


Safety & Installation Instructions

These instructions are provided for your safety in order to prevent the risk of Fire, Electric shock or Injury. It is vitally important that they are read in their entirety before installing your fitting. Please retain for future reference.

1. If you are in any doubt consult a qualified electrician as to the installation of the fitting. Install in accordance with current IEE wiring regulations. It is recommended that this fitting is installed by a qualified electrician.
2. Ensure that the electrical supply is OFF. Disconnect the electrical supply at the fuse-board.
3. If removing an existing fitting first, note all wiring connections: record which of the house wires is connected to the live, neutral and earth terminals.
4. Carefully identify where the supply cable is (and check there are no other cables in the area) to avoid damage to concealed wiring during installation.
5. Position the light where desired ensuring that there is suitable support adjacent to where you will connect to the house supply and mark position of fixing holes, before drilling appropriate holes as below.
6.
 - a. Brick or masonry: Drill holes into which the wall plugs tightly fit, then insert wall plugs.
 - b. Wood: No hole necessary (unless small pilot hole required), screws can be screwed directly into the timber.
 - c. Plaster/Cavity: Special cavity wall fittings are required, rather than provided fixings. These are widely available from good hardware or DIY store and should come with their own instructions that must be followed. It may be easier to relocate the fitting so that you screw directly into a timber joist or beam.
7. Once desired drop determined, adjust the flex length accordingly. Consult an electrician if in any doubt.
 - Use wire cutters to cut flex at desired length and then remove 30mm of the cotton braid and outer insulation (making sure no damage occurs to the interior cables). Apply electrical tape around the end of the cotton braid to prevent fraying.
 - Remove 10mm of insulation from the conductors, ready to be wired into a connector block.
8. Support the fitting so that no strain is applied to the wiring when making the electrical connections. If necessary get a colleague to help.
9. Electrical connection: this light fitting is double insulated, DO NOT connect to an Earth wire or terminal. Make connections using the connector block, following the diagram below. A small flat-head screwdriver is required.



10. Double check all the connections are secure and that no loose strands of wire are left out of the connector. Use a good quality electrical insulation tape to cover the connector block and at least 25mm of the cables going in to either end of the connector.
11. Check that no wires are trapped behind or within the fitting and complete the installation, see hanging instructions inside.
12. Fit the correct type and wattage of lamp (or less). Be careful not to overtighten the lamp.
13. Switch on at the fuse-board. Your light fitting is now ready for use.

Other Important Information

Switch off at mains before changing lamp(s). Never fit a lamp of greater wattage than recommended. Ensure children do not play with the light fitting. Dispose of old lamps carefully. Never leave a fitting without a lamp in position (or someone can accidentally touch the contacts). Adjust fitting only when power to the fitting is off and has been left to cool. If the electrical flex or electrical components become damaged at any point, power to the fitting should be disconnected immediately and not operated until the damaged parts are fixed/replaced. For use in a dry, indoor environment only. Ensure the fitting does not come into contact with any liquids.

Cleaning and Maintenance

Bone china can be cleaned by hand, using a soft damp cloth with a diluted mild detergent (nonabrasive) if necessary. Switch off power to the fitting before cleaning.

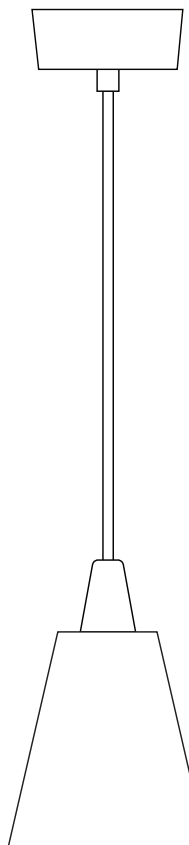
Established in 1990, Original BTC manufactures relaxed, familiar lighting for traditional and contemporary homes. All products are hand-assembled in Oxford from high quality components, produced in the UK.

ORIGINALBTC.COM
+44 (0)1993 882 251
UNIT 21 / 22 AVENUE ONE, STATION LANE, WITNEY, OX28 4XZ, ENGLAND



Hector Pleat & Flowerpot Pendant Light

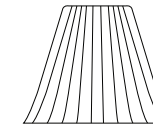
Instruction Manual



Hector Medium Pleat
FP156N



Hector Medium Flowerpot
FP129N



Hector Large Pleat
FP131N




ORIGINAL BTC
BRITISH LIGHTING MANUFACTURERS
LONDON - NEW YORK - PARIS



Hector Pleat & Flowerpot Pendant | 230V ac 50Hz | IP20

- FP131N Hector Large Pleat Pendant Light, Natural
- FP129N Hector Medium Flowerpot Pendant Light, Natural
- FP156N Hector Medium Pleat Pendant Light, Natural

A British design classic in translucent bone china. The Hector pendant provides a great central source of lighting for smaller spaces creating warm ambient light, or combined in multiples over kitchen islands and dining tables to give space added character and definition. Available in four size options. Matching Table, Wall and Floor versions also available.

LAMP GUIDANCE Drop Pendants					
BASE	SHAPE	TYPE*	WATTAGE**		
			FP129N & FP156N	FP131N	
 E27	 GLS	 BALL	INCANDESCENT ✓	40W MAX	60W MAX
			CFL ✓	11W	15W
			ECO-HALOGEN ✗	n/a	n/a
			LED ✓	7W	12W

* Warm white (2700k) low energy lamps recommended.
 ** Wattage value provided as a guide to suitable lamps. Lower wattage than stated may be used.

PLEASE READ THE INSTRUCTIONS ON THE REVERSE BEFORE YOU BEGIN INSTALLING YOUR LIGHT

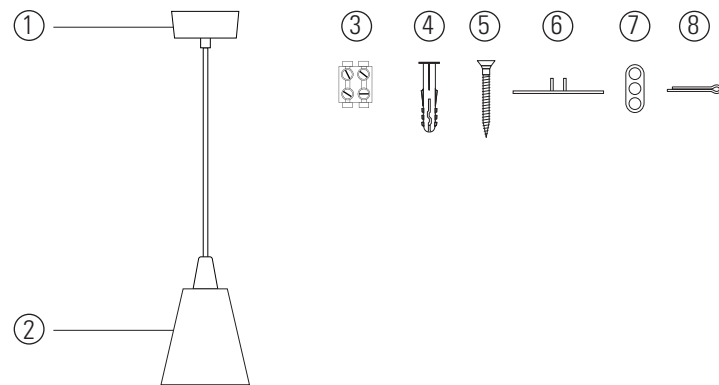
Hanging Instructions

This product is made from Fine Bone China; take care when handling this product during installation.

Refer to diagram on opposite page.

- Screw the hanging bracket (D) to the ceiling using the rawl plugs and screws as necessary.
- Place the cotter pin (E) through the first hole in the hanging bracket (D), then through the top hole of the 3-hole cord grip (F), before inserting through second hole in hanging bracket. Bend one 'leg' of pin (E) back using pliers to prevent pin sliding out of the bracket.
- Determine the required drop of the fitting and adjust flex (J) length as necessary- see point 7 overleaf.
- Before wiring, ensure the luminaire flex (J) is threaded through the middle hole of the cord grip (F) and out of the bottom hole as shown in the diagram to ensure the pendant hangs straight.
- Make connection to the mains supply (follow instructions over leaf), using the connector block (G) provided.
- The ceiling rose can now be pushed up over the bracket and the connection: Loosen the screw on the cord grip (I) before pushing the ceiling rose up so that it sits flush against the ceiling, then tighten the grub screw to hold the ceiling rose in position. Do not overtighten grub screw.

Contents



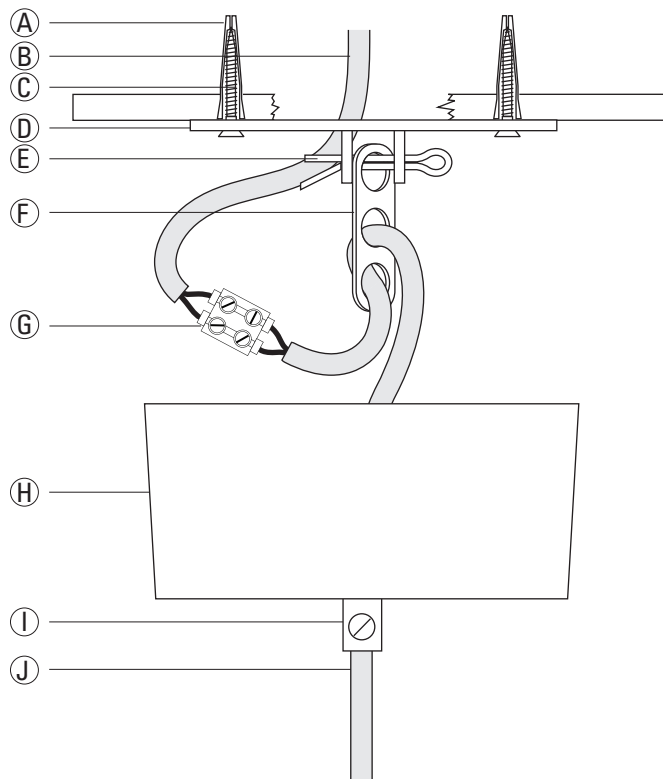
Contents

- 1 Ceiling Rose
- 2 Shade
- 3 Connector block
- 4 2 x Rawl Plugs
- 5 2 x Fixing screws
- 6 1 x Hanging Bracket
- 7 1 x 3-hole cord grip
- 8 1 x Cotter pin

Tools Required

- Cross head screwdriver
- Small flat-head screwdriver
- Drill (if holes are required)

Installation Diagram



- A Rawl plugs
- B Main supply
- C Fixing screws
- D Hanging bracket
- E Cotter pin
- F 3-hole cord grip
- G Connector block
- H Ceiling rose
- I Cord grip
- J Luminaire flex