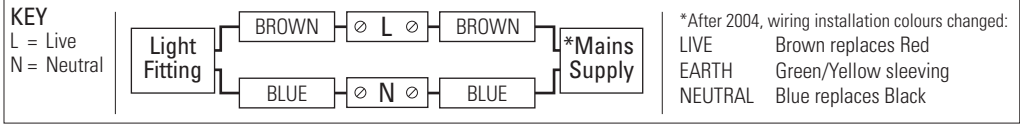


Safety & Installation Instructions

v1.1-05.19

These instructions are provided for your safety in order to prevent the risk of Fire, Electric shock or Injury. It is vitally important that they are read in their entirety before installing your fitting. Please retain for future reference.

1. If you are in any doubt consult a qualified electrician as to the installation of the fitting. Install in accordance with current IEE wiring regulations. It is recommended that this fitting is installed by a qualified electrician.
2. Ensure that the electrical supply is OFF. Disconnect the electrical supply at the fuse-board.
3. If removing an existing fitting first, note all wiring connections: record which of the house wires is connected to the live, neutral and earth terminals.
4. Carefully identify where the supply cable is (and check there are no other cables in the area) to avoid damage to concealed wiring during installation.
5. Position the light where desired ensuring that there is suitable support adjacent to where you will connect to the house supply and mark position of fixing holes, before drilling appropriate holes as below.
6.
 - a. Brick or masonry: Drill holes into which the wall plugs tightly fit, then insert wall plugs.
 - b. Wood: No hole necessary (unless small pilot hole required), screws can be screwed directly into the timber.
 - c. Plaster/Cavity: Special cavity wall fittings are required, rather than provided fixings. These are widely available from good hardware or DIY store and should come with their own instructions that must be followed. It may be easier to relocate the fitting so that you screw directly into a timber joist or beam.
7. Once desired drop determined, adjust the flex length accordingly. Consult an electrician if in any doubt.
 - Use wire cutters to cut flex at desired length and then remove 30mm of the cotton braid and outer insulation (making sure no damage occurs to the interior cables). Apply electrical tape around the end of the cotton braid to prevent fraying.
 - Remove 10mm of insulation from the conductors, ready to be wired into a connector block.
8. Support the fitting so that no strain is applied to the wiring when making the electrical connections. If necessary get a colleague to help.
9. Electrical connection: this light fitting is double insulated, DO NOT connect to an Earth wire or terminal. Make connections using the connector block, following the diagram below. A small flat-head screwdriver is required.



10. Double check all the connections are secure and that no loose strands of wire are left out of the connector. Use a good quality electrical insulation tape to cover the connector block and at least 25mm of the cables going in to either end of the connector.
11. Check that no wires are trapped behind or within the fitting and complete the installation, see hanging instructions inside.
12. Fit the correct type and wattage of lamp (or less). Be careful not to overtighten the lamp.
13. Switch on at the fuse-board. Your light fitting is now ready for use.

Other Important Information

Switch off at mains before changing lamp(s). Never fit a lamp of greater wattage than recommended. Ensure children do not play with the light fitting. Dispose of old lamps carefully. Never leave a fitting without a lamp in position (or someone can accidentally touch the contacts). Adjust fitting only when power to the fitting is off and has been left to cool. If the electrical flex or electrical components become damaged at any point, power to the fitting should be disconnected immediately and not operated until the damaged parts are fixed/replaced. For use in a dry, indoor environment only. Ensure the fitting does not come into contact with any liquids.

Cleaning and Maintenance

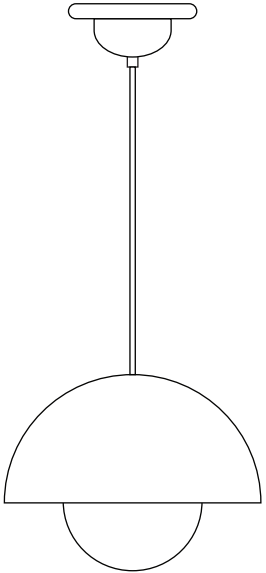
Bone china can be cleaned by hand, using a soft damp cloth with a diluted mild detergent (nonabrasive) if necessary. Switch off power to the fitting before cleaning.

Established in 1990, Original BTC manufactures relaxed, familiar lighting for traditional and contemporary homes. All products are hand-assembled in Oxford from high quality components, produced in the UK.

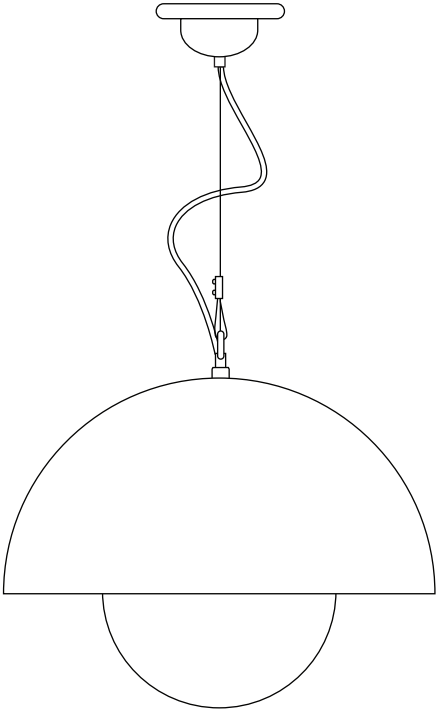
ORIGINALBTC.COM
+44 (0)1993 882 251
UNIT 21 / 22 AVENUE ONE, STATION LANE, WITNEY, OX28 4XZ, ENGLAND



Doma Pendants Light Instruction Manual



Doma Small Pendant Light, Natural
FP413N



Doma Large Pendant Light, Natural
FP414N

ORIGINAL BTC
BRITISH LIGHTING MANUFACTURERS
LONDON - NEW YORK - PARIS



Doma Pendants Light

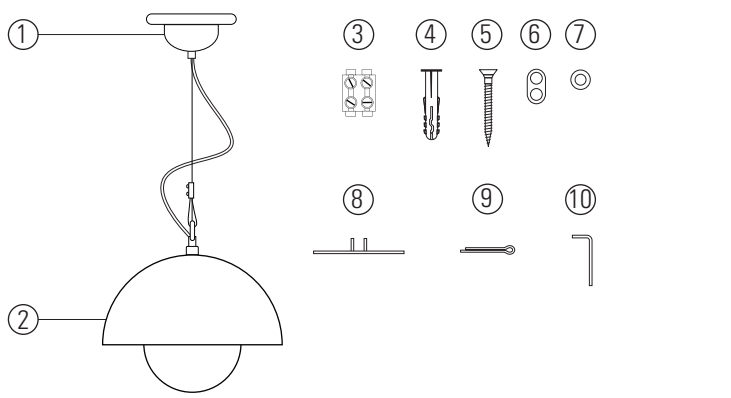
| 230V ac 50Hz | IP20

FP413N Doma Small Pendant Light, Natural
 FP414N Doma Large Pendant Light, Natural

LAMP GUIDANCE			WATTAGE**	
BASE	SHAPE	TYPE*	FP413N	FP414N
		INCANDESCENT ✓	60W MAX	100W MAX
E27	GLS BALL	CFL ✓	15W	20W
		ECO-HALOGEN ✓	n/a	n/a
		LED ✓	12W	18W

* Warm white (2700k) low energy lamps recommended.
 ** Wattage value provided as a guide to suitable lamps. Lower wattage than stated may be used.

Contents



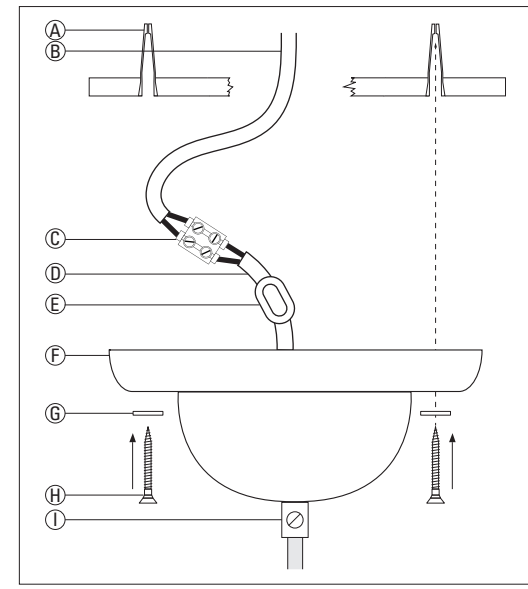
- Contents**
- Ceiling rose
 - Shade
 - Connector block
 - Rawl plugs (S=2, L=4)
 - Fixing screws (S=2, L=4)
 - Cord grip
 - 2 x Washer
 - Hanging bracket*
 - Cotter pin*
 - Allen key*
- * Large only

- Tools Required**
- Cross head screwdriver
 - Small flat-head screwdriver
 - Drill (if holes are required)

PLEASE READ THE INSTRUCTIONS ON THE REVERSE BEFORE YOU BEGIN INSTALLING YOUR LIGHT

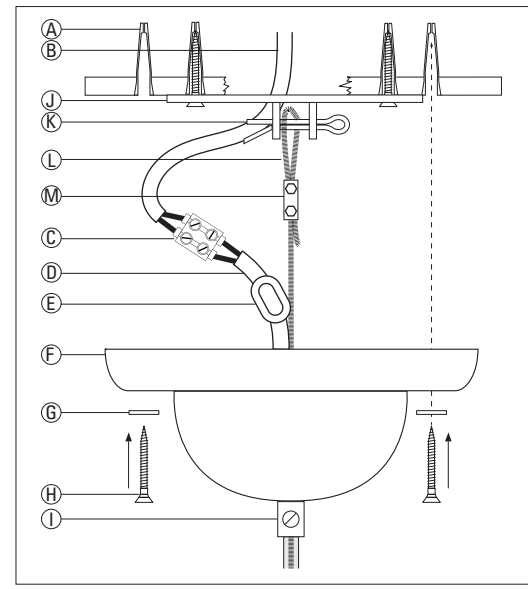
Installation Diagram

FP413N Doma Small Pendant Light, Natural



- A - Rawl plugs
- B - Main supply
- C - Connector
- D - Luminaire flex
- E - 2-Hole cord grip
- F - Ceiling rose
- G - Washer
- H - Fixing screw
- I - Cord grip

FP414N Doma Large Pendant Light, Natural



- I - Cord grip
- J - Hanging bracket
- K - Cotter pin
- L - Steel wire
- M - Wire grip

Hanging Instructions

DOMA SMALL PENDANT

- Locate a suitable position the the light. Mark and drill the fixing holes for the ceiling rose, following points 5 & 6 overleaf.
- Work out the desired drop of the light and shorten the cable if necessary, follow point 7 overleaf.
- Feed cable though the ceiling rose and then the 2-hole cord grip.
- Make electrical connection, following points 9 & 10 overleaf.
- Push ceiling rose to ceiling. Tighten grub screw on gord grip. Do not overtighten.
- Fix ceiling rose in position using fixing screws. Ensure washers in in position. Tighten by hand.

DOMA LARGE PENDANT

- Locate a suitable position the the light. Mark and drill the fixing holes for the ceiling rose and hanging bracket, following points 5 & 6 overleaf.
- Fix hanging bracket to ceiling using fixing screws.
- Work out the desired drop of the light and shorten the cable if necessary, follow point 7 overleaf.
- Feed cable though the ceiling rose and then the 2-hole cord grip.
- Make electrical connection, following points 9 & 10 overleaf.
- Insert cotter pin though hanging bracket and bend arm.
- Attach rose to cotter pin. Tighten wire grip screws.
- Push ceiling rose to ceiling. Tighten grub screw on gord grip. Do not overtighten.
- Fix ceiling rose in position using fixing screws. Ensure washers in in position. Tighten by hand.