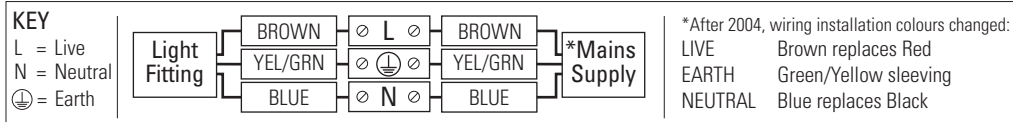


Safety & Installation Instructions

v1.2 -04.19

These instructions are provided for your safety in order to prevent the risk of Fire, Electric shock or Injury. It is vitally important that they are read in their entirety before installing your fitting. Please retain for future reference.

1. If you are in any doubt consult a qualified electrician as to the installation of the fitting. Install in accordance with current IEE wiring regulations. It is recommended that this fitting is installed by a qualified electrician.
2. Ensure that the electrical supply is OFF. Disconnect the electrical supply at the fuse-board.
3. If removing an existing fitting first, note all wiring connections: record which of the house wires is connected to the live, neutral and earth terminals.
4. Carefully identify where the supply cable is (and check there are no other cables in the area) to avoid damage to concealed wiring during installation.
5. Position the light where desired ensuring that there is suitable support adjacent to where you will connect to the house supply and mark position of fixing holes, before drilling appropriate holes as below.
6.
 - a. Brick or masonry: Drill holes into which the wall plugs tightly fit, then insert wall plugs.
 - b. Wood: No hole necessary (unless small pilot hole required), screws can be screwed directly into the timber.
 - c. Plaster/Cavity: Special cavity wall fittings are required, rather than provided fixings. These are widely available from good hardware or DIY store and should come with their own instructions that must be followed. It may be easier to relocate the fitting so that you screw directly into a timber joist or beam.
7. Once desired drop determined, adjust the flex length accordingly. Consult an electrician if in any doubt.
 - Use wire cutters to cut flex at desired length and then remove 30mm of the cotton braid and outer insulation (making sure no damage occurs to the interior cables). Apply electrical tape around the end of the cotton braid to prevent fraying.
 - Remove 10mm of insulation from the conductors, ready to be wired into a connector block.
8. Support the fitting so that no strain is applied to the wiring when making the electrical connections. If necessary get a colleague to help.
9. Electrical connection: this light fitting is earthed. Make connections using the connector block, following the diagram below. A small flat-head screwdriver is required.



10. Double check all the connections are secure and that no loose strands of wire are left out of the connector. Use a good quality electrical insulation tape to cover the connector block and at least 25mm of the cables going in to either end of the connector.
11. Check that no wires are trapped behind or within the fitting and complete the installation, see hanging instructions inside.
12. Fit the correct type and wattage of lamp (or less). Be careful not to overtighten the lamp.
13. Switch on at the fuse-board. Your light fitting is now ready for use.

Other Important Information

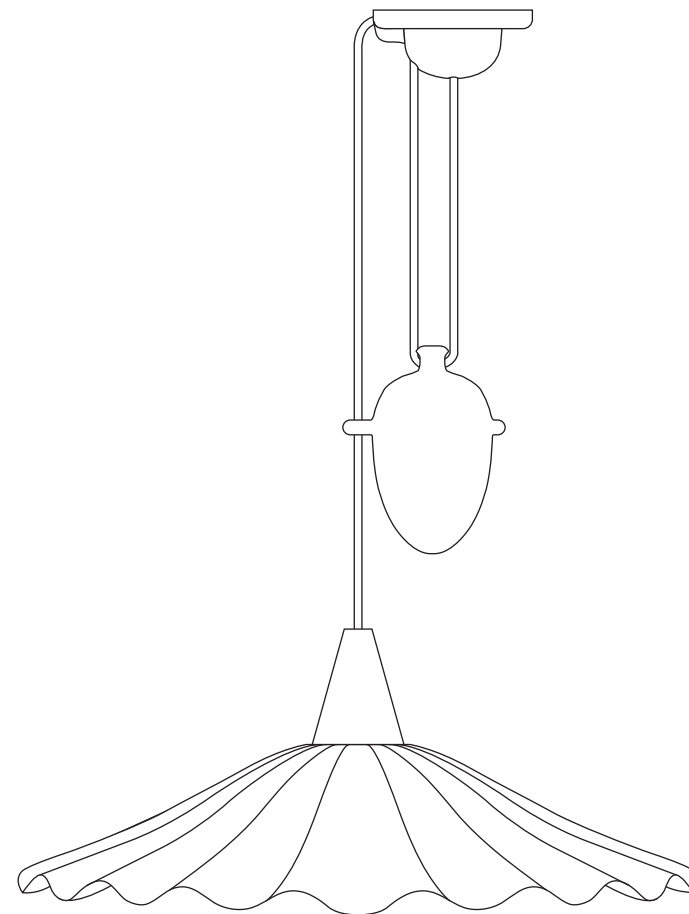
Switch off at mains before changing lamp(s). Never fit a lamp of greater wattage than recommended. Ensure children do not play with the light fitting. Dispose of old lamps carefully. Never leave a fitting without a lamp in position (or someone can accidentally touch the contacts). Adjust fitting only when power to the fitting is off and has been left to cool. If the electrical flex or electrical components become damaged at any point, power to the fitting should be disconnected immediately and not operated until the damaged parts are fixed/replaced. For use in a dry, indoor environment only. Ensure the fitting does not come into contact with any liquids.

Cleaning and Maintenance

Bone china can be cleaned by hand, using a soft damp cloth with a diluted mild detergent (nonabrasive) if necessary. Switch off power to the fitting before cleaning.

Christie Rise & Fall Pendant Light

Instruction Manual



Established in 1990, Original BTC manufactures relaxed, familiar lighting for traditional and contemporary homes.

All products are hand-assembled in Oxford from high quality components, produced in the UK.

ORIGINALBTC.COM

+44 (0)1993 882 251

UNIT 21 / 22 AVENUE ONE, STATION LANE, WITNEY, OX28 4XZ, ENGLAND



ORIGINAL BTC

BRITISH LIGHTING MANUFACTURERS
LONDON • NEW YORK • PARIS






Christie Rise & Fall Pendant Light

| 230V ac 50Hz | IP20 |

FP576 Christie Pendant, Rise & Fall, Sand & Taupe braided Cable

Traditionally inspired with a modern twist, rise and fall pendants allow you to adjust height and vary lighting effects, making them the ideal choice for dining tables and kitchens. Simply lower the light for intimate dinners or raise for a broader pool of general light. This light features an exquisitely hand crafted bone china pendant shade that has been inspired by the rolling ocean waves. Bone china has been heated and moulded to create this eye-catching shade. Our trademark sand & taupe braided cable and domed ceiling rose finish off the design beautifully.

LAMP GUIDANCE

BASE	SHAPE	TYPE*	WATTAGE**
 E27	 GLS	INCANDESCENT ✓	100W MAX
 BALL		CFL ✓	20W
		ECO-HALOGEN ✗	n/a
		LED ✓	18W

* Warm white (2700k) low energy lamps recommended.

** Wattage value provided as a guide to suitable lamps. Lower wattage than stated may be used.

CAUTION THIS PRODUCT IS MADE FROM FINE BONE CHINA. EXCESSIVE FORCE USED DURING INSTALLATION OR OPERATION CAN CAUSE DAMAGES OR BREAKAGES.

PLEASE READ THE INSTRUCTIONS ON THE REVERSE BEFORE YOU BEGIN INSTALLING YOUR LIGHT

Hanging Instructions

Refer to diagrams on opposite page.

STEP 1

- Determine the maximum drop (the lowest the shade will hang from the ceiling) and total movement (rise and fall) of the shade required (see Fig.1). Remember: the larger the maximum drop, the larger the minimum drop (the highest the shade will hang without the weight hitting the shade) and vice versa.
- The drop can be controlled by shortening or lengthening the amount of flex (A) that is allowed to pass through the cord grip (C) (see Fig.2). Once you are happy with drop, allow 10cm from cord grip (C) in order to make electrical connection, then remove excess flex (see point 7 on reverse).

STEP 2

- Mark fixing holes through ceiling plate (B) before drilling holes, see point 6 on reverse. Take care to mark the centre of each hole, so when installing, fixing screws don't put any pressure on base.

STEP 3

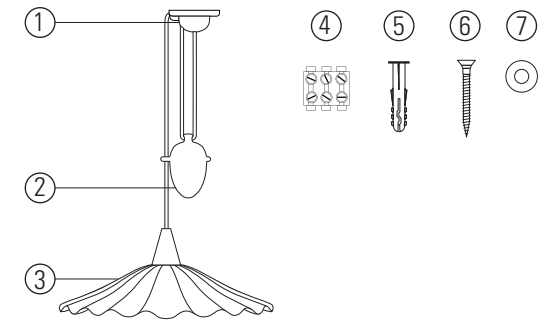
- Make electrical connection- see points 8 to 11 on the reverse.

STEP 4

Screw ceiling plate to ceiling with washers (F) in place (see Fig. 3), **taking care not to apply excessive force when screwing in screws as this can damage the china ceiling rose. DO NOT USE POWER TOOLS.**

To adjust drop of shade (see Fig.4), gently pull the shade (I) downwards (while also holding the flex above the shade) to increase the drop and push gently upwards (taking care not to hit the weight (H) as it falls) to decrease the drop.

Contents



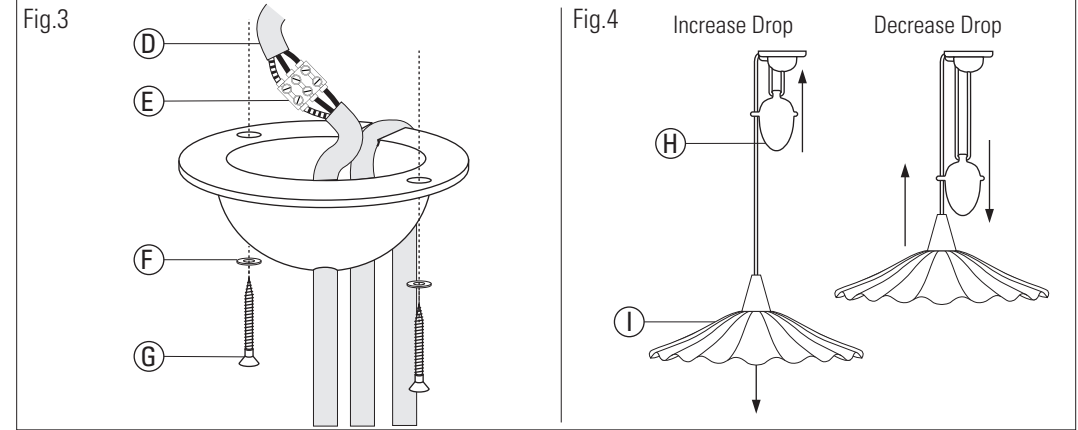
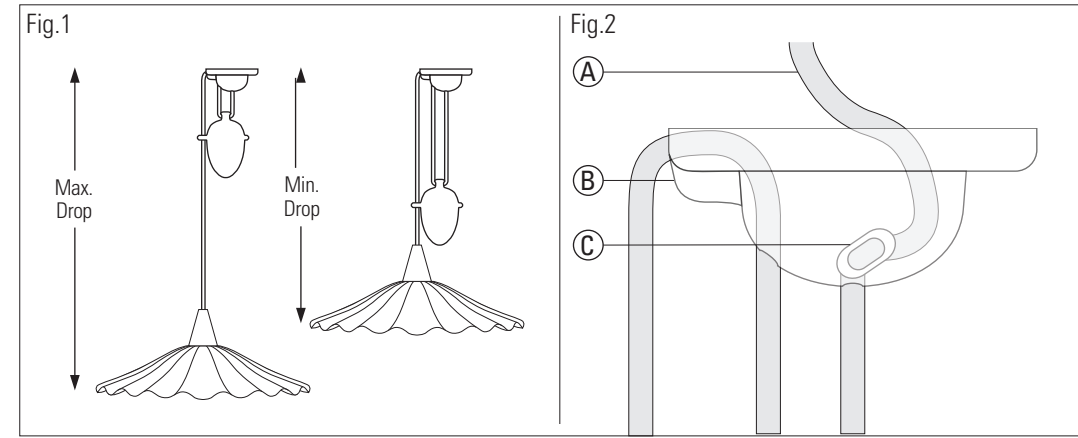
Contents

- 1 Ceiling Rose
- 2 Weight
- 3 Shade
- 4 Connector block
- 5 2 x Rawl Plugs
- 6 2 x Fixing screws
- 7 2 x washers

Tools Required

- Cross head screwdriver
- Small flat-head screwdriver
- Drill (if holes are required)

Installation Diagram



A Luminaire flex	D Main Supply	G Fixing screws
B Bone china ceiling rose	E Connector block	H Weight
C Cord grip	F Washer	I Shade