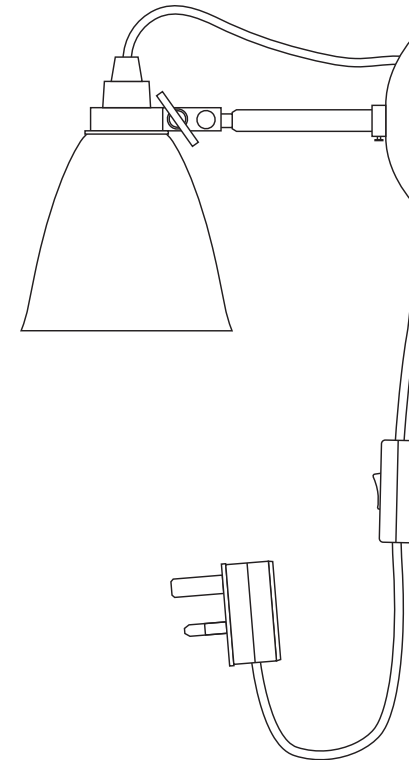


These instructions are provided for your safety in order to prevent the risk of Fire, Electric shock or Injury. It is vitally important that they are read in their entirety before installing your fitting. Please retain for future reference.

1. If you are in any doubt consult a qualified electrician as to the installation of the fitting.
2. Ensure that the electrical supply is OFF. Disconnect the electrical supply at the fuse-board.
3. Identify any concealed wiring or pipes in the chosen installation location before beginning the installation to avoid damage.
4. Position the light where desired ensuring that there is suitable support adjacent to where you will connect to the house supply and mark position of fixing holes, before drilling appropriate holes as below.
5.
 - a. Brick or masonry: Drill holes into which the wall plugs tightly fit, then insert wall plugs.
 - b. Wood: No hole necessary (unless small pilot hole required), screws can be screwed directly into the timber.
 - c. Plaster/Cavity: Special cavity wall fittings are required, rather than provided fixings. These are widely available from good hardware or DIY store and should come with their own instructions that must be followed. It may be easier to relocate the fitting so that you screw directly into a timber joist or beam.
6. Follow the instructions inside to complete the installation
7. Fit the correct type and wattage of lamp (or less). Be careful not to overtighten the lamp.
8. Switch on at the fuse-board. Your light fitting is now ready for use.



Other Important Information

Switch off at mains before changing lamp(s). Never fit a lamp of greater wattage than recommended. Ensure children do not play with the light fitting. If the fitting is to be positioned in an area which can be accessed by young children we recommend installing the light with a suitable cable clip to prevent the flex from becoming a choking hazard. These are available at good hardware stores. Dispose of old lamps carefully. Never leave a fitting without a lamp in position (or someone can accidentally touch the contacts). Adjust fitting only when power to the fitting is off and has been left to cool. If the electrical flex or electrical components become damaged at any point, power to the fitting should be disconnected immediately and not operated until the damaged parts are fixed/replaced. For use in dry, indoor environment only. Ensure the fitting does not come into contact with any liquids.

Cleaning and Maintenance

Metal finishes should only be cleaned with a soft, dry cloth. Do not use polishes or abrasives. Bone china can be cleaned by hand, using a soft damp cloth with a diluted mild detergent (nonabrasive) if necessary. Switch off power to the fitting before cleaning. Spare parts are available for this product, please contact us on the details below.

Established in 1990, Original BTC manufactures relaxed, familiar lighting for traditional and contemporary homes.

All products are hand-assembled in Oxford from high quality components, produced in the UK.

ORIGINALBTC.COM

+44 (0)1993 882 251

UNIT 21 / 22 AVENUE ONE, STATION LANE, WITNEY, OX28 4XZ, ENGLAND



ORIGINAL BTC
BRITISH LIGHTING MANUFACTURERS
LONDON - NEW YORK - PARIS






Hector Small Wall Light PSC

| 230V ac 50Hz | IP20

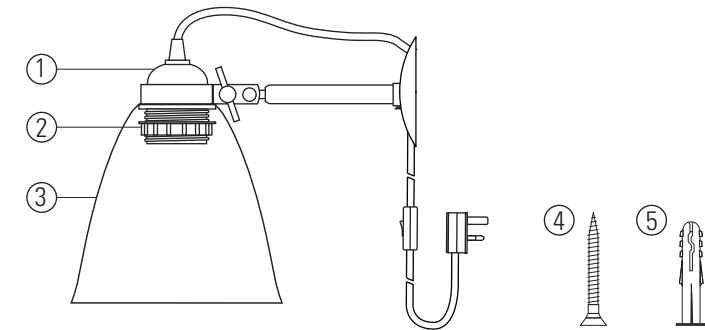
FW342 Hector Small Dome, PSC

A British design classic in translucent bone china. With its moveable shade and smart cotton braided flex, the plug, switch and cable wall lights combine style and function. The range includes a selection of bone china shades.

LAMP GUIDANCE Hector Small			
BASE	SHAPE*	TYPE**	WATTAGE***
E14	  	INCANDESCENT (R50 only) ✓	40W
		CFL ✓	9W
		ECO-HALOGEN ✗	n/a
		LED ✓	7W

* Use low energy CFL or LED candle/ball lamp for a combination of ambient and low level task lighting or R50 lamp if high level task illumination required.
 ** Warm white (2700k) low energy lamps recommended.
 *** Wattage value provided as a guide to suitable lamps. Lower wattage than stated may be used.

PLEASE READ THE INSTRUCTIONS ON THE REVERSE BEFORE YOU BEGIN INSTALLING YOUR LIGHT



Contents

- 1 - Backplate/stem/lampholder
- 2 - Shade ring
- 3 - Shade
- 4 - 2 x fixing screws
- 5 - 2 x rawl plugs

Required for Installation

- Screwdriver, cross-head
- Small screwdriver, flat-head
- Drill (if holes are required)

Installation and Assembly Instructions

This product is made from Fine Bone China; take care when handling this product during installation. Excessive force can cause damages or breakages.

Refer to diagrams on opposite page.

STEP 1

Release the grub screw on the 'slip ring' (A), then slide with backplate (B) along stem (C).

STEP 2

Mark fixing holes through bracket (D) before drilling holes, see point 5 and 6 on reverse.

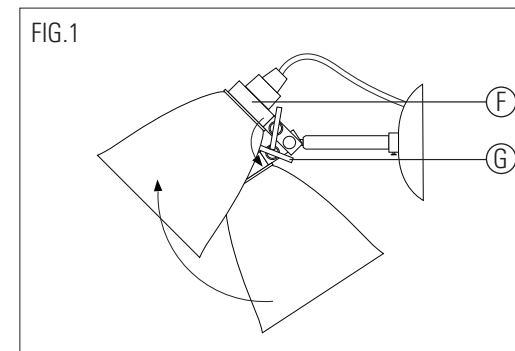
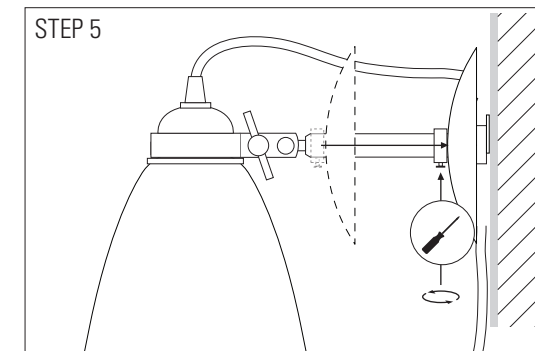
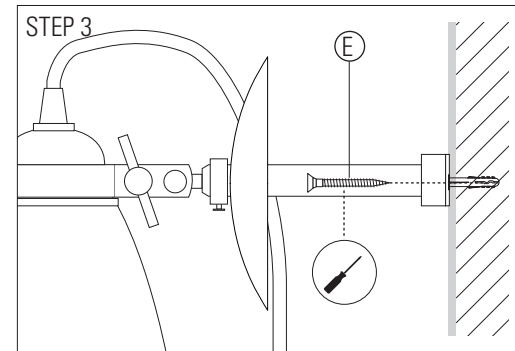
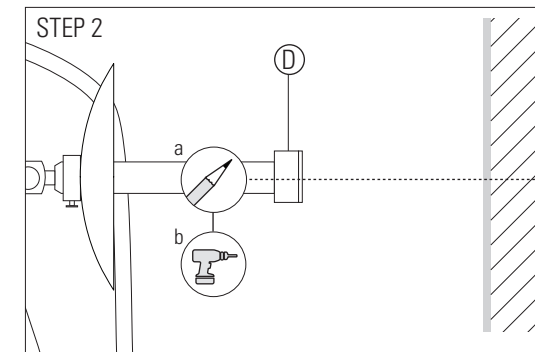
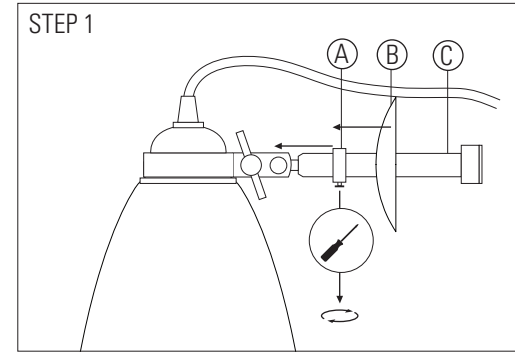
STEP 3

Screw bracket to wall.

STEP 4

Slide china base plate over bracket so it meets the wall, then secure by tightening screw on slip ring.

Installation Diagram



Key

- A Slip Ring
- B Backplate
- C Stem
- D Fixing Bracket
- E Fixing screws
- F Clamp ring
- G Clamp handle

Adjusting Shade

- See Fig.1. With one hand supporting the shade, gently loosen the clamp handle (G). One quarter-turn, in an anti-clockwise direction should be sufficient.
- The shade can then be moved into desired position, ensuring the clamp remains attached to the stem, but without applying excessive force to the washers on the inside of the clamp. Ensure the shade is still supported whilst adjusting position.
- Secure in place by gently tightening clamp handle, **taking care NOT to overtighten**, as this can damage the clamp.
- Do not adjust the position of the shade without loosening the clamp first, as this will damage the washers.