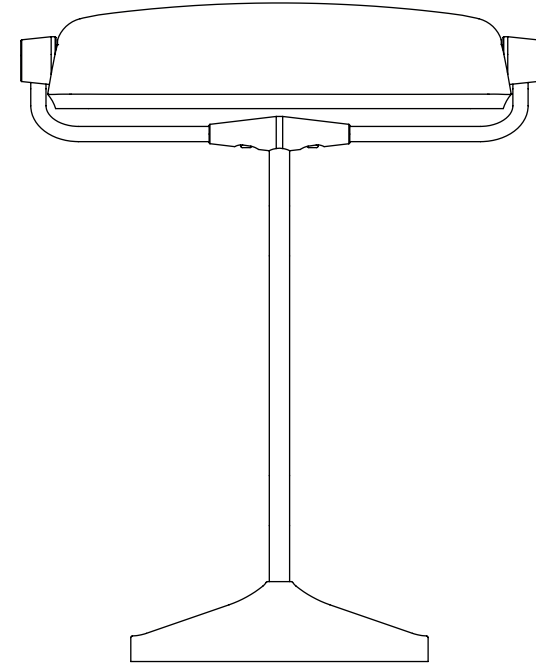


v1.0 - 10.17

Bankers Table Light

Instruction Manual



FT700

Established in 1990, Original BTC manufactures relaxed, familiar lighting for traditional and contemporary homes.
All products are hand-assembled in Oxford from high quality components, produced in the UK.

ORIGINALBTC.COM
+44 (0)1993 882 251
UNIT 21 / 22 AVENUE ONE, STATION LANE, WITNEY, OX28 4XZ, ENGLAND



ORIGINAL BTC
BRITISH LIGHTING MANUFACTURERS
— LONDON - NEW YORK - PARIS —



Bankers Table Light

| 230V ac 50Hz | IP20 |

FT700 Bankers table light

LAMP GUIDANCE			
BASE	SHAPE	TYPE*	WATTAGE**
-	-	INTEGRAL LED	4W

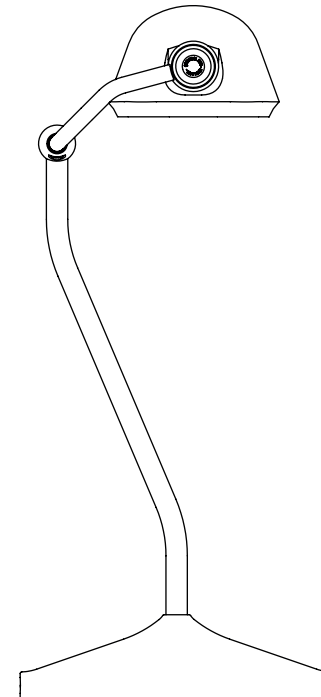
Safety Instructions

These instructions are provided for your safety in order to prevent the risk of Fire, Electric shock or Injury. Please retain for future reference. When fitting is in operation, some parts will become hot; take care when using/handling.

- Integral LED light source - Do not attempt to change the bulb. In case of lamp failure please contact your original point of purchase.
- Do not touch the lamp (bulb) in operation, as it will become hot.
- Keep light fitting away from combustible materials such as soft furnishings.
- Ensure children do not play with the light fitting.
- Ensure the light is positioned on a solid, level and non-slip surface and make sure the position of the cable does not pose a trip hazard.
- If the electrical flex or electrical components become damaged at any point, the fitting must be unplugged from the power supply immediately and not operated until the damaged parts are fixed/replaced.
- For use in a dry, indoor environment only. Ensure the fitting does not come into contact with any liquids.

Cleaning and Maintenance

Metal finishes should only be cleaned with a soft, dry cloth. Do not use polishes or abrasives. Bone china can be cleaned using a soft damp cloth with a mild detergent if necessary. Switch off power to the fitting before cleaning. Spare parts are available for this product, please see contact details on the reverse.



Usage Notes

The shade is fixed in one position, it is not designed to be rotated / adjusted. Attempting to rotate the shade may cause damage to the light.