

T-3225 LED / T-3226 LED 493032251

Colgante metálico con luz indirecta y pantallas orientables lateralmente 60°. Varillas adorno cromadas.

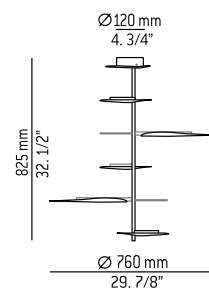
Metallic pendant providing indirect light. Adjustable heads with a lateral swing up to 60°. Decorative chrome sticks.



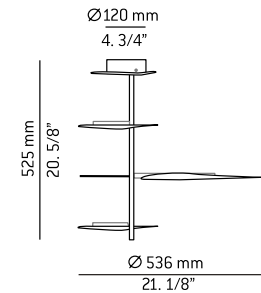
IP
20



960°



T-3225



T-3226

LE RECOMENDAMOS LEA LAS INSTRUCCIONES ANTES DE PROCEDER A LA INSTALACIÓN. GUARDE LAS INSTRUCCIONES PARA FUTURAS REFERENCIAS.

- * Asegúrese de que la corriente está desconectada antes de conectar el aparato.
- * El montaje de luminarias debe ser efectuado solamente por personal técnico.
- * No utilizar bombillas con potencia superior a la indicada en la etiqueta.
- * Únicamente para uso en interiores.
- * Para limpieza no utilizar alcohol ni disolventes
- * Recomendamos la intervención de 2 personas para el montaje de la lámpara

WE RECOMMEND TO READ THE INSTRUCTIONS ENTIRELY BEFORE STARTING YOUR INSTALLATION. PLEASE SAVE THESE INSTRUCTIONS SO THAT YOU CAN REFER TO THEM A LETER TIME.

- * Make sure the power has been disconnected before installing the fixture.
- * Lighting fixtures should be installed only by qualified personnel.
- * Make sure the bulb never exceeds the maximum wattage especificed on the fixture label.
- * For indoor use only.
- * Do not use alcohol or disolvents to clean the lamp
- * For your convenience assembly by two people ist recommended.



UL 1598 ELECTRICAL INSTRUCTIONS FOR FLUSHMOUNTS, WALL SCONCES AND PENDANTS

SAVE THESE INSTRUCTIONS. MIN 90C SUPPLY CONDUCTORS. CAUTION-RISK OF FIRE. USE STATED WATT OR SMALLER. CAUTION-RISK OF SHOCK. DISCONNECT POWER BEFORE SERVICING. TO REDUCE THE RISK OF A BURN DURING RELAMPING, ALLOW THE BULB TO COOL DOWN. SUITABLE FOR DRY LOCATIONS ONLY. THIS PRODUCT MUST BE INSTALLED IN ACCORDANCE WITH THE APPLICABLE INSTALLATION CODE BY A PERSON FAMILIAR WITH THE CONSTRUCTION AND OPERATION OF THE PRODUCT AND THE HAZARD INVOLVED.

WARNING: ALL WIRES AND WIRE NUTS USED IN THE INSTALLATION MUST BE RATED 195F (90°C). FOR INDOOR USE ONLY. THESE PRODUCT MUST BE INSTALLED BY A QUALIFIED ELECTRICIAN.

Instrucciones / Assembly instructions

Atención: / Warning:

No mirar directamente a los LED.

Do not look directly into any LED source

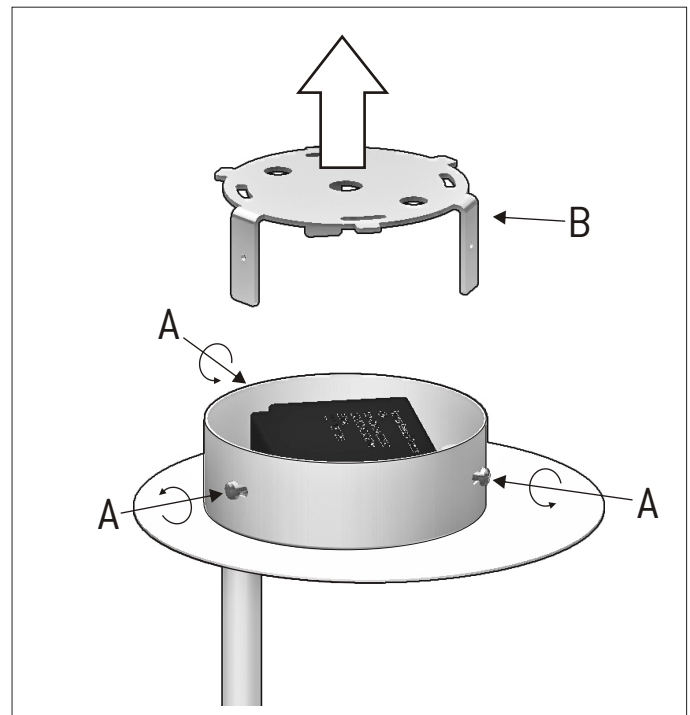
Bitte nicht direkt in die LED schauen

Ne regardez jamais les ampoules LED directement

1- Desenroscar los tornillo laterales del tapapared (A). Liberar la sujeción (B). Figura 1.

1- Unscrew the lateral screws (A) to remove the canopy (A) from the mounting bracket (B). Figure 1.

1

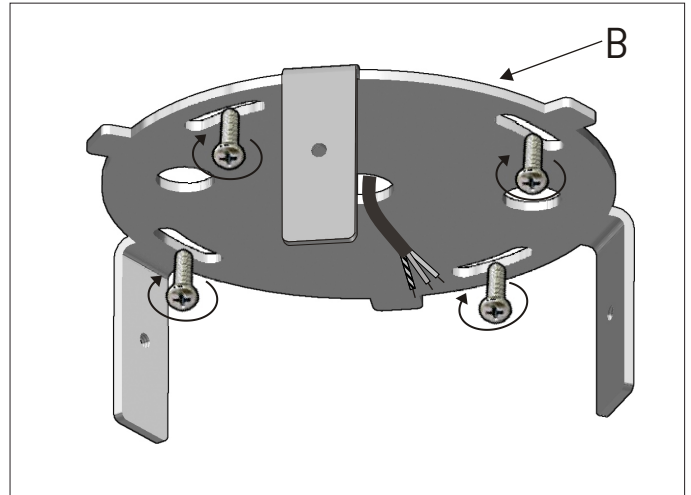


Assembly instructions

2- Introducir los cables de la red eléctrica hacia el interior de la sujeción (B). Atornillar la sujeción (B) al techo. Figura 2.

2- Insert the electrical wires from the outlet box into the mounting bracket (B). Affix the mounting bracket (B) to the ceiling or the electrical junction box. Figure 2.

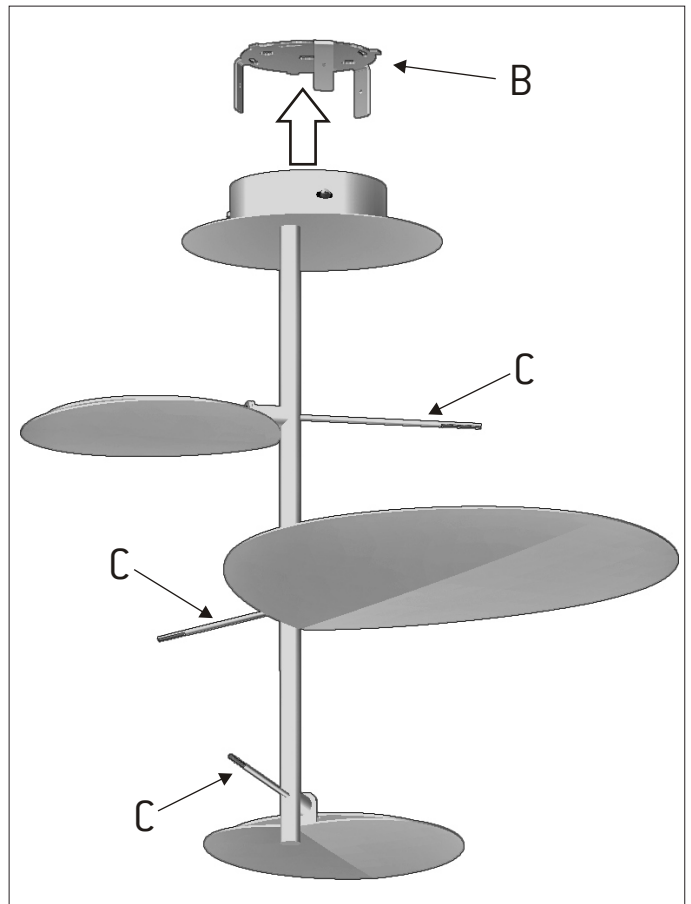
2



3- Realizar las conexiones eléctricas. Acoplar la lámpara a la sujeción (B) y atornillar de nuevo los tornillos liberados anteriormente en el paso 1. Figura 3.

3- Connect the wires. Attach and affix the lamp to the mounting bracket (B). Tighten the screws removed previously in step one. Figure 3.

3



Atención: la manecillas (C) sólo sirven de adorno. No utilizarlas para girar la lámpara.

Attention! Decorative sticks (C) only. It can not be used to rotate the shade.